

# CONSPIT FP-lite



## Quick Guide

Product Disclaimer .....	1
Packing List .....	4
01. Installation of Foot Cups .....	5
02. Installation of the Supporting Pillars and Side Plates .....	6
03. Installation of Pedal Mounting Plate.....	7
04. Installing the Baseplate of the Steering Wheel Base .....	8
05. Installing the Seat .....	10
06. Sitting Posture Adjustment .....	11
a. Seat position adjustment .....	11
b. steering wheel position adjustment .....	11
c. pedal position adjustment .....	13
07. Installation of Vibration Kit .....	14
Installation of the Monitor Support (optional) .....	16
Installation of the Handbrake Bracket (optional) .....	19
Installation of Keyboard Holder (optional) .....	20

\*Please note the serial number on your product before contacting the support.  
The serial number can be found on the warranty card and the product label sticker on the corrugated box, and written here for your convenience.



# Product Disclaimer

## We hereby reminds you that:

Before using this product, please ensure that you have carefully read and fully understood this Product Disclaimer and all the following product safety tips and operation specifications. To the extent permitted by the laws of the People's Republic of China, Ensu (Shanghai) Electronic Technology Co., Ltd. is not responsible for all personal injury and/or property damage caused by your failure to obey any of the following safety tips or operating specifications.

If you have any questions about this Disclaimer or the following product safety tips and operating specifications, you can consult through [support@conspit.com](mailto:support@conspit.com). In the process of reading this Disclaimer and the following product safety tips and operating specifications, you should immediately stop using this product if you do not agree with any of the contents. If you do use this product, your behavior will be regarded as an acceptance of this Disclaimer and the following product safety tips and operation specifications.

## Safety messages during handling and installation:

- The product and its components are relatively heavy in weight. Please ensure that you or the installer and user have sufficient lifting capacity. When handling and installing parts, please do so within your capabilities. We recommend that at least two people work together to handle and install the product.
- The product is made of metal and has certain sharp edges. There is a possibility of collision injuries during the handling and installation of parts. Please do not wear slippers, shorts, or clothing that exposes a lot of skin during installation and use.
- When picking up and moving items, please make sure you have a firm grip. Dropping components can cause property damage or even personal injury.

## It is essential to use this product under safe conditions:

- Please ensure that the user has the ability to move independently and is conscious. Do not use this product when sick, fatigued, or under the influence of alcohol/drugs.

## Ensure proper installation of the product:

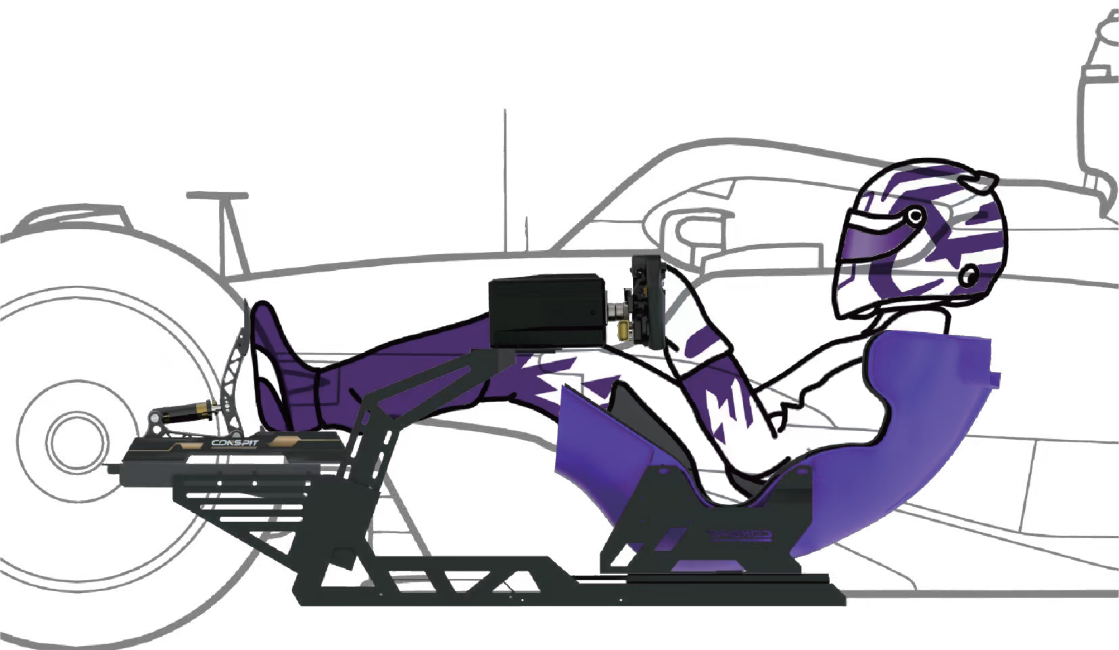
- This product requires you to complete some installation work. Make sure that all parts of the bracket are properly and securely installed. Please follow the steps and instructions in the product manual during the installation process. Using the product without proper installation may result in the following: partial fasteners coming loose and causing collision injuries, parts detaching and causing injury to yourself or others.

## Safety information for product placement:

- Do not pile up debris within a 50-centimeter radius around the product. Leave enough space around the product for comfortable use and movement.

- **Safety information during play:**
  - Do not carry sharp objects (such as keys, screwdrivers, utility knives, etc.) during activities. Otherwise, serious personal injuries may occur.
  - Avoid others entering the user's operating area.
  - Avoid using excessive force. This product has been designed and manufactured with large structural strength and safety margins to prevent component detachment/failure. However, improper application of force beyond normal usage may still cause component damage, leading to potential safety risks.
  
- **Situations that may pose hazards during normal use include, but are not limited to:**
  - Other people or pets coming close to the user's operating area.
  - Electrical cables near the working area of pedals, steering wheels, and other moving parts.
  - User's foot slipping off the pedal when applying force.
  - Exposed skin on knees, arms, feet, legs, and other body parts due to inadequate clothing coverage.
  
- **Follow all safety tips and operating procedures:**
  - Avoid using the product for an extended period - prolonged continuous use may cause fatigue, muscle pain, or other negative effects. We recommend a maximum single-use time of 2 hours, and the daily maximum recommended usage time should not exceed 6 hours.
  - Prohibit independent use by children under 12 years old, this product is not designed for use by children. Children should use this product under the supervision of their guardian.
  
- **Malfunctioning and damaged products:**
  - If the product is damaged or cannot be used properly, please stop using it immediately and consult CONSPIT's after-sales customer service. Continuing to use it may cause further damage to the product.
  - Do not attempt to repair the product or its accessories by yourself.
  
- **General preventive measures:**
  - Please store and protect the product and its accessories properly.
  - Do not immerse the product in liquid.
  - Do not use the product in any environment with flammable substances.
  - Using the product in dusty or dirty locations may cause damage.
  - Do not drop the product (or its components) or subject it to physical impact.

Starting from the ergonomic characteristics of a real racing seat, the GT-lite highly reproduces the driving position of a formula racing car.



FP-lite is designed with an Easy-Assembly Structure. Please verify all the components listed in the packing list before starting the installation. Follow the instructions in the manual to complete the installation and fine tune your driving position.

**The installation process is expected to take 10-30 minutes.**

# Packing List



M8\*100mm  
Semi-tooth bolts  
(5 pieces)



M8\*16mm  
Hex bolts  
(12 pieces)



M6\*12mm  
Flange hex bolts  
(5 pieces)



M6\*12mm  
Round head hex bolts  
(5 pieces)



M6\*16mm  
Round head hex bolts  
(5 pieces)



M8 flange nuts  
(12 pieces)



M8 nylon  
anti-loose nuts  
(6 pieces)



Foot Cup\*4



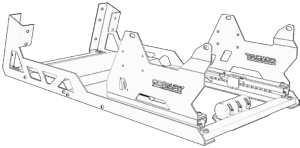
13mm  
open-end wrench



14mm  
open-end wrench



Hex wrench 6.0  
Hex wrench 5.0  
Hex wrench 4.0  
Hex wrench 2.5  
Hex wrench 2.0



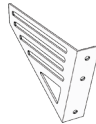
A\*1



Br



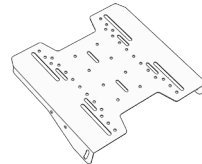
Bl



Cl



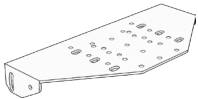
Cr



D\*1



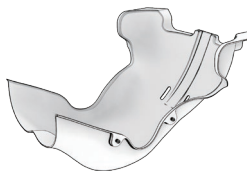
Gloves



E\*1



Carpet\*1



FP Seat\*1



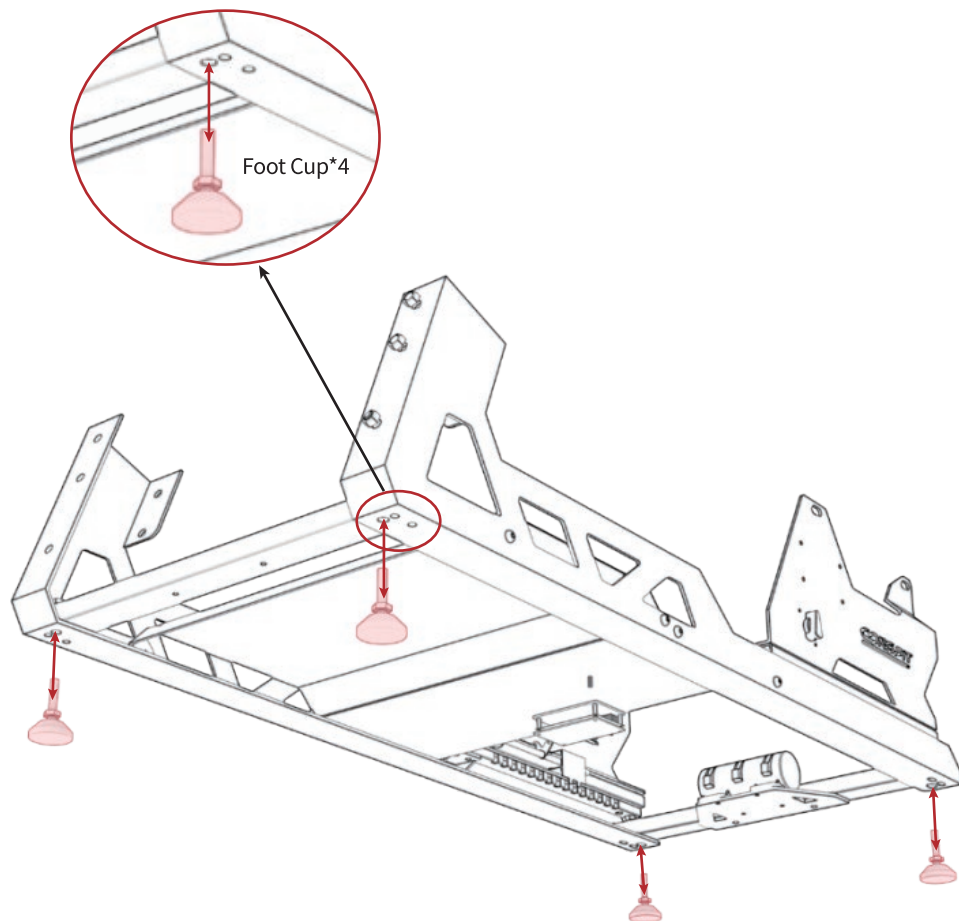
Nylon gaskets\*4  
(use for FP seat)



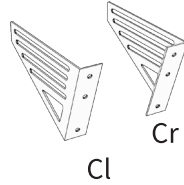
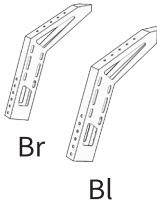
Several black metal gaskets  
(recommended  
screw-gaskets-nut  
combination, for improved  
driving experience)

**\*Safety tip: The product contains heavy metal components, and some parts have sharp edges. Please be sure to pay attention to protection during handling and installation.**

# 01 Installation of Foot Cups



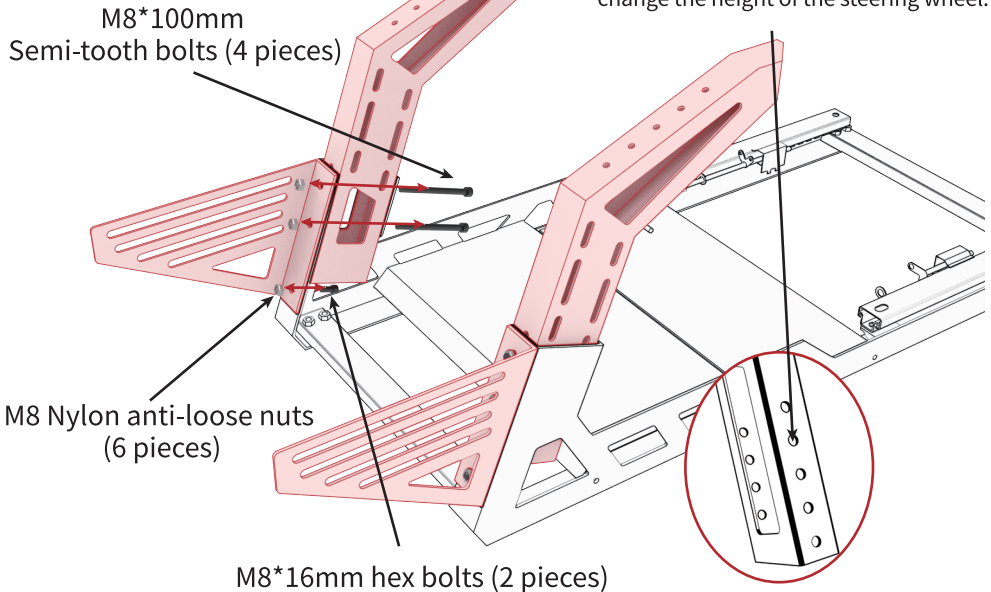
## Accessories required for this step:



### Note:

- \*Ensure that the heights on both sides are the same during installation.
- \*Do not tighten the bolts in this step for the convenience of subsequent installation.

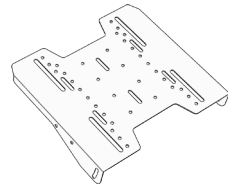
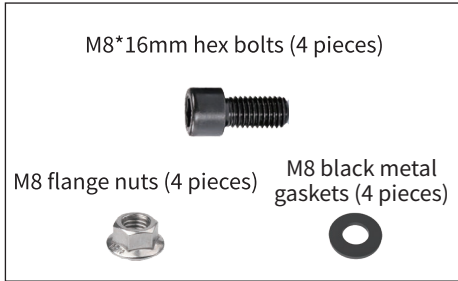
The illustrated pillar hole position is the recommended position, and the pillar fixing hole position can be adjusted according to personal preferences to change the height of the steering wheel.





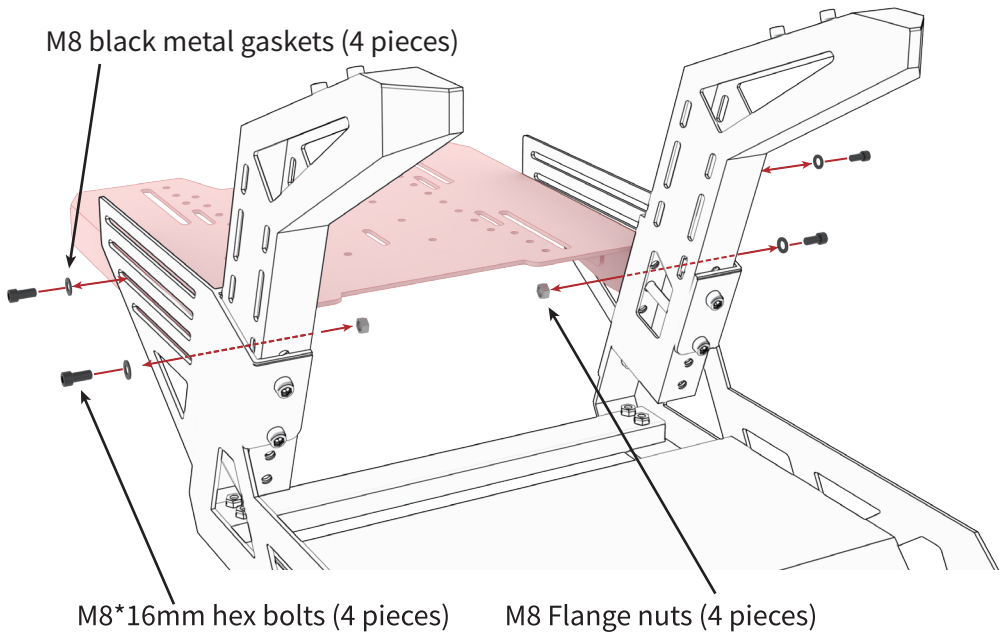
# 03 Installation of Pedal Mounting Plate

Accessories required for this step:



D\*1

Because the angle of the pedal surface of different brands of pedals may differ, we suggest that you install your pedals on the pedal base before tightening the bolts shown in the figure below to facilitate the adjustment of the driving position.



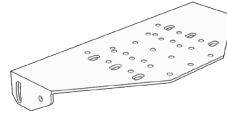
\*Multiple holes on the side of the base can be used.

## 04 Installing the Baseplate of the Steering Wheel Base

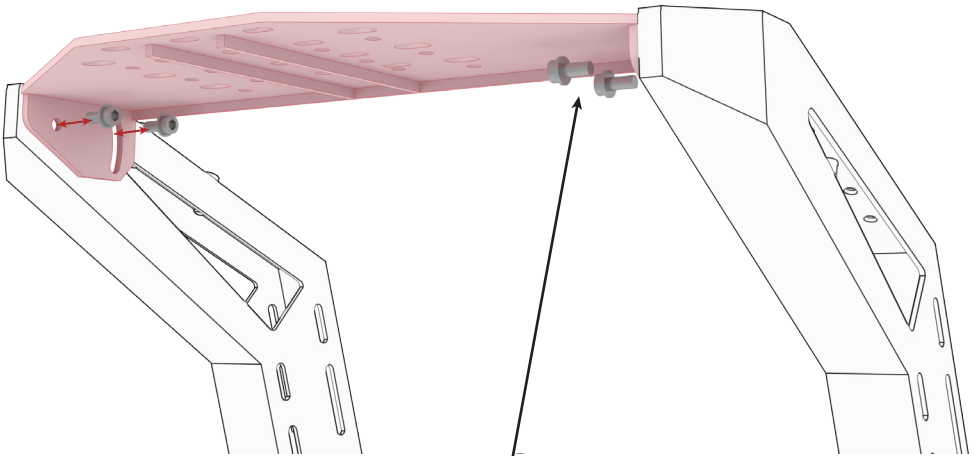
Accessories required for this step:



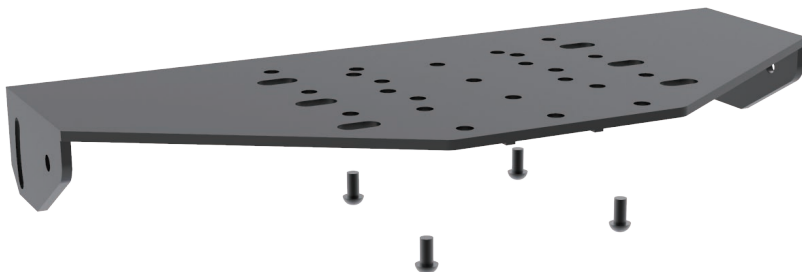
M6\*12mm flange hex bolts (4 pieces)



E\*1



M6\*12mm flange hex bolts (4 pieces)



Please install bolts of the corresponding specifications according to the instructions provided by your base manufacturer.  
(FP-lite provides M6\*12mm round head hex bolts)

### Supported devices:

**Fanatec:** Clubsport V1, Clubsport V2, Clubsport V2.5, CSL, CSL ELITE, DD1, DD2

**Thrustmaster:** T300, T500 RS, TS-PC Racer, TX-XW Racer, TMX Force Feedback, T-GT

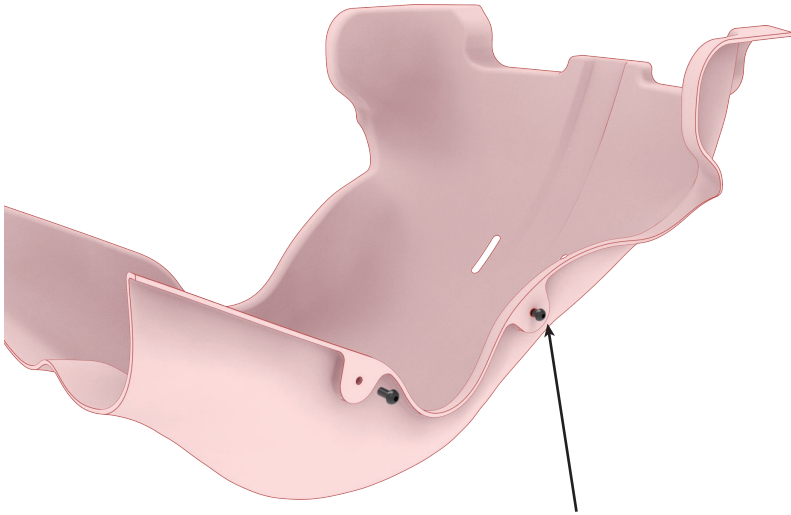
**SIMAGIC:** M10, ALPHA, ALPHA MINI

**Logitech:** Driving Force GT, G920, G25, G27, G29, G923

**Moza:** All series

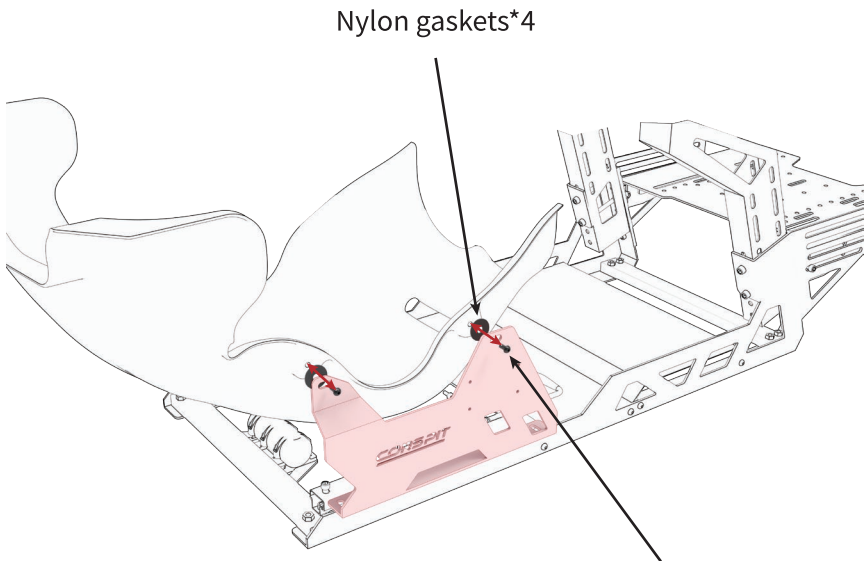
**Simucube:** Requires special mounting bracket

## 1



Remove the 4 M8\*16mm round head bolts on the seat fixing holes.

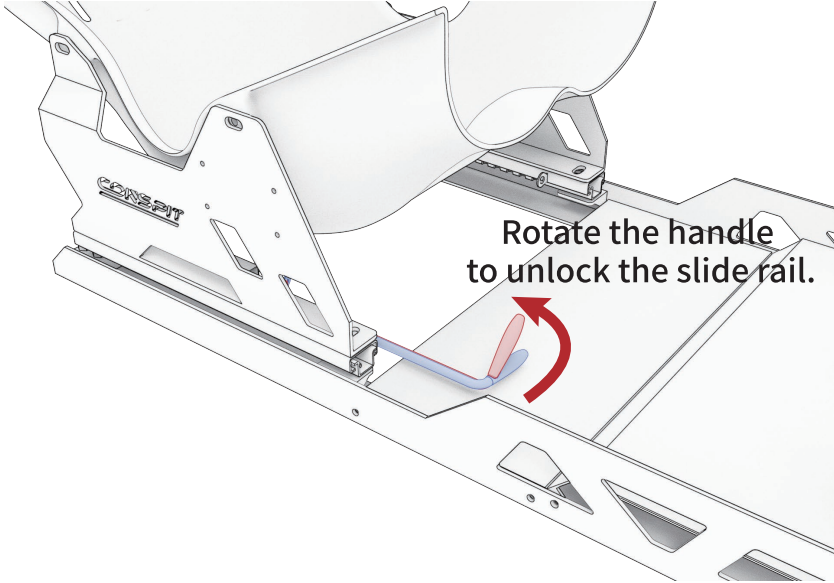
## 2



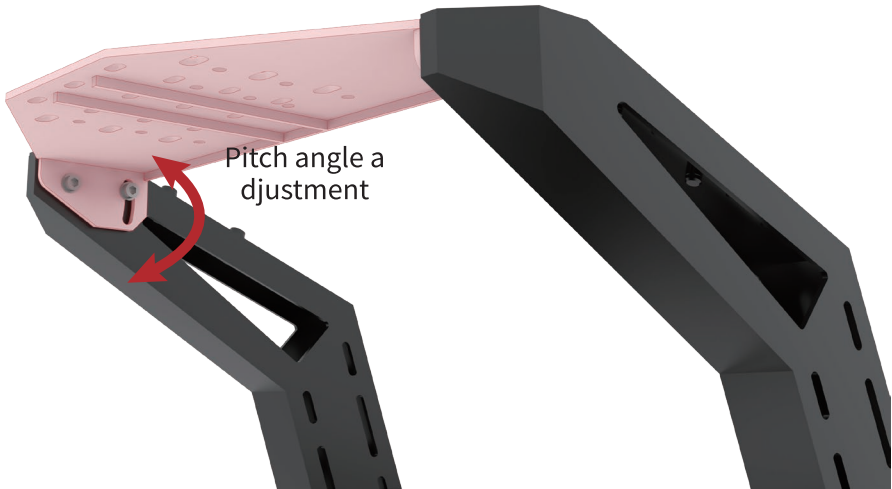
Use the four bolts just removed to connect the seat to the mounting plate.

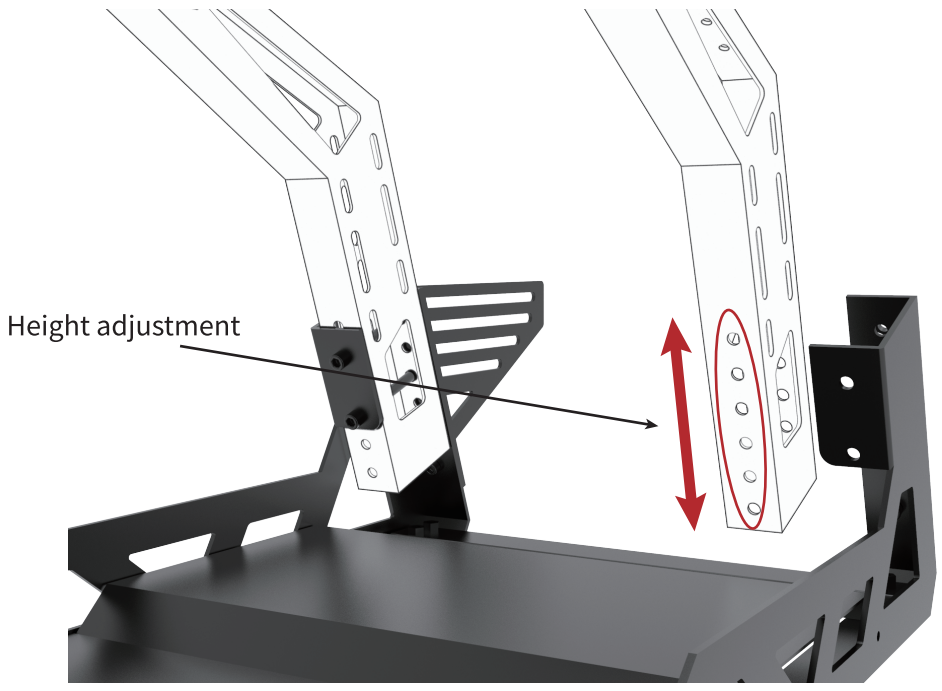
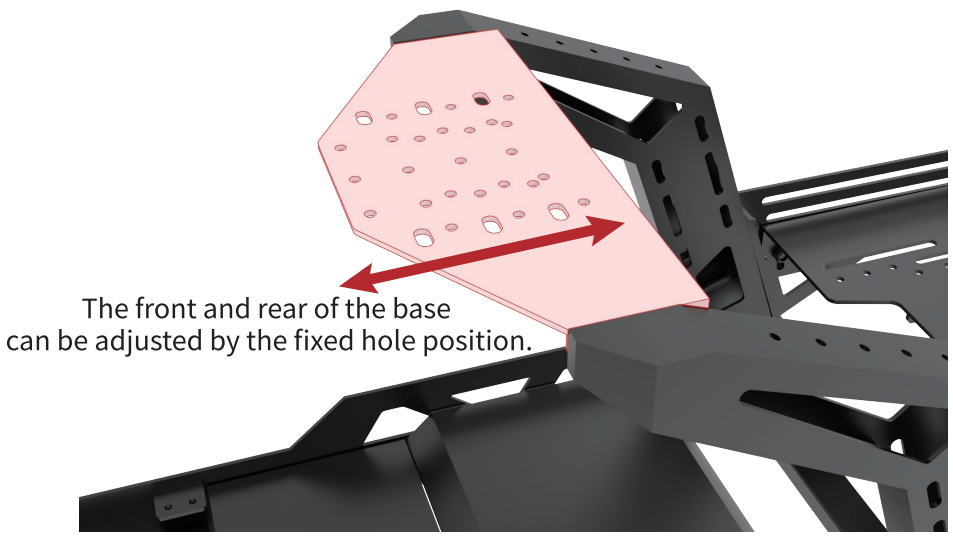
**\*After installing the seat, tighten all the bolts from the previous steps.**

## a. Seat position adjustment

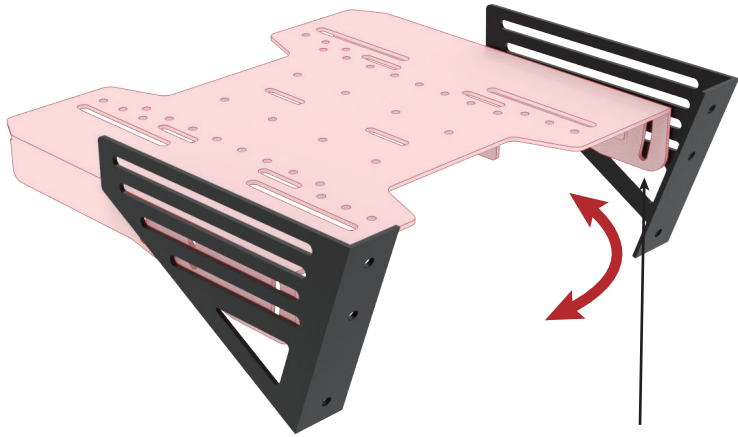


## b. Steering wheel position adjustment



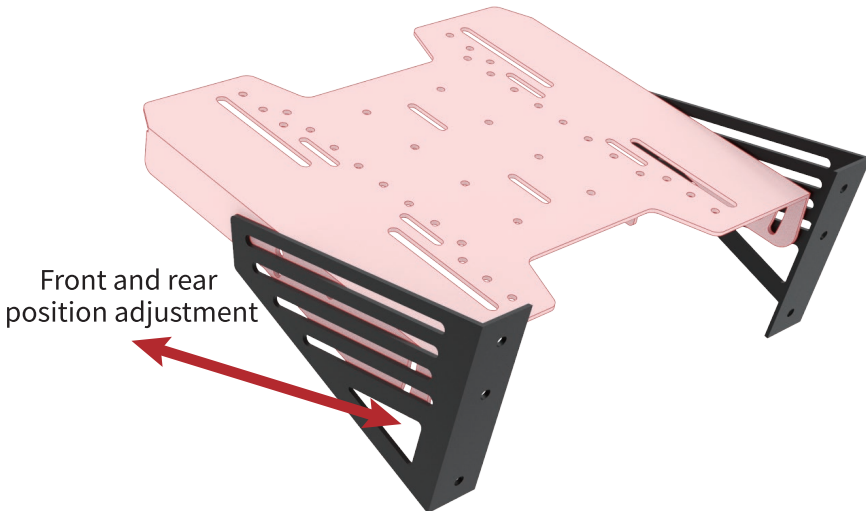


### c. Pedal position adjustment



Pitch angle adjustment

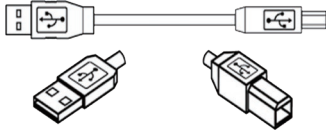
\* The flatter angle of the pedal base is suitable for pedals with a more vertical pedal surface (such as CONSPIT CGP&CPP).



Front and rear position adjustment

\* The steeper angle of the pedal base is suitable for pedals with a certain degree of tilt.

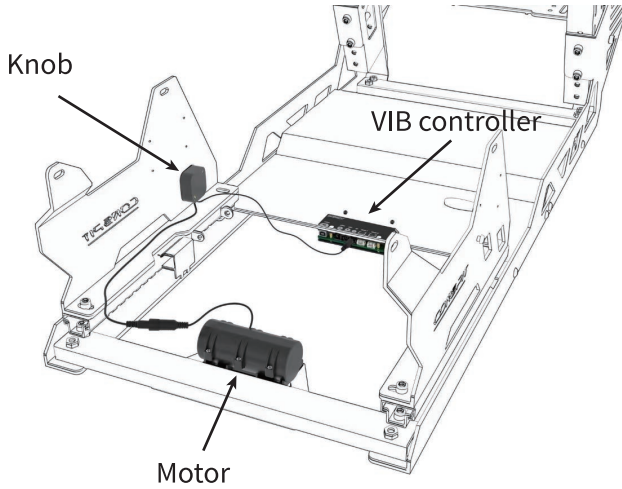
## 07 Installation of Vibration Kit



USB cable

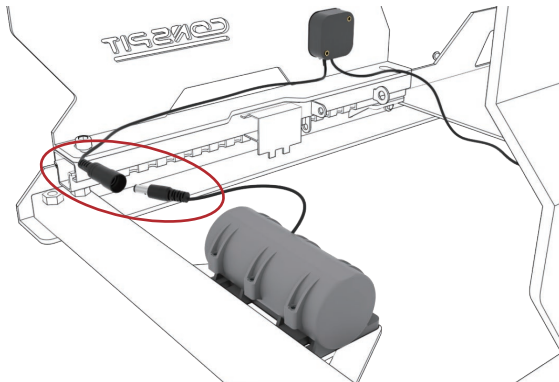


DC 12V power block



1

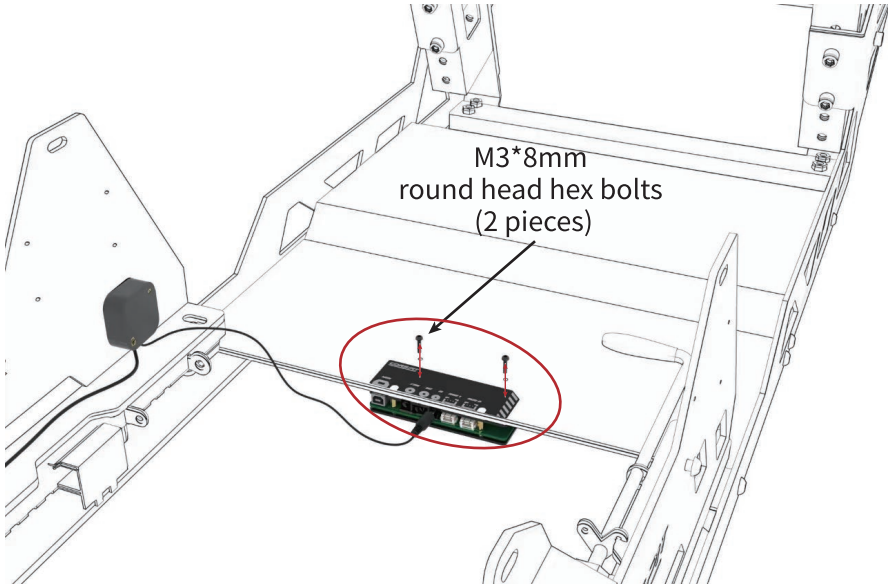
Connect the motor to the knob.





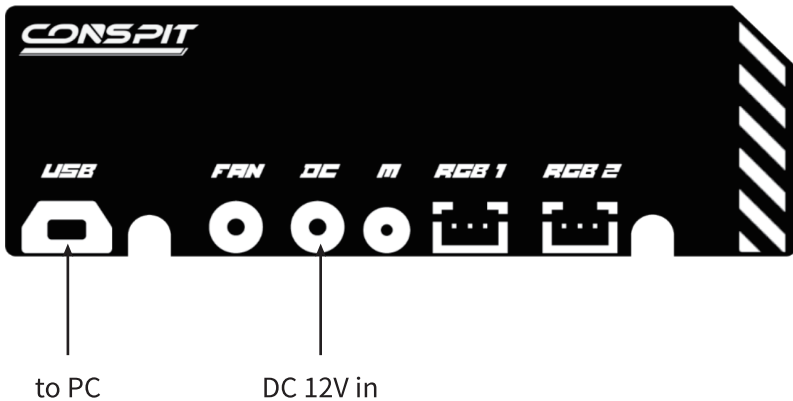
## 2

Connect the knob with the controller.



## 3

Plug DC 12V power in, then connect the controller to PC through USB cable.



# Installation of the Monitor Support (need to be purchased separately)



## Accessories required for this step:

M8\*16mm black hex bolt (4 pcs)



M8\*30mm black hex bolt (3 pcs)



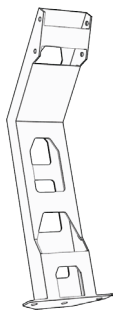
M8 flange nut (3 pcs)



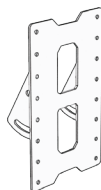
M6\*12mm white round head bolt (4 pcs)



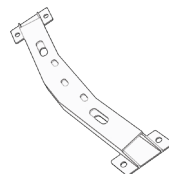
M4\*12mm black hex bolt (4 pcs)



F\*1



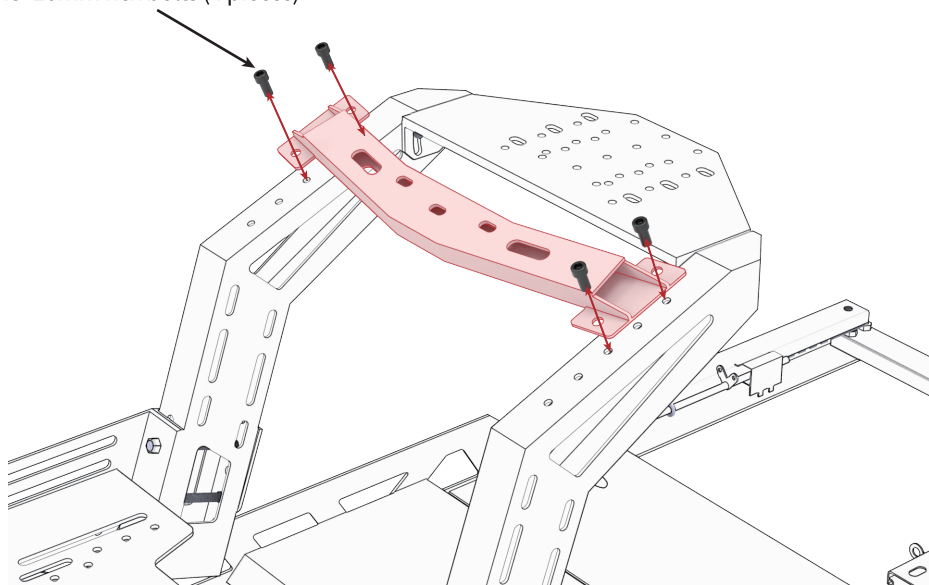
G\*1



H\*1

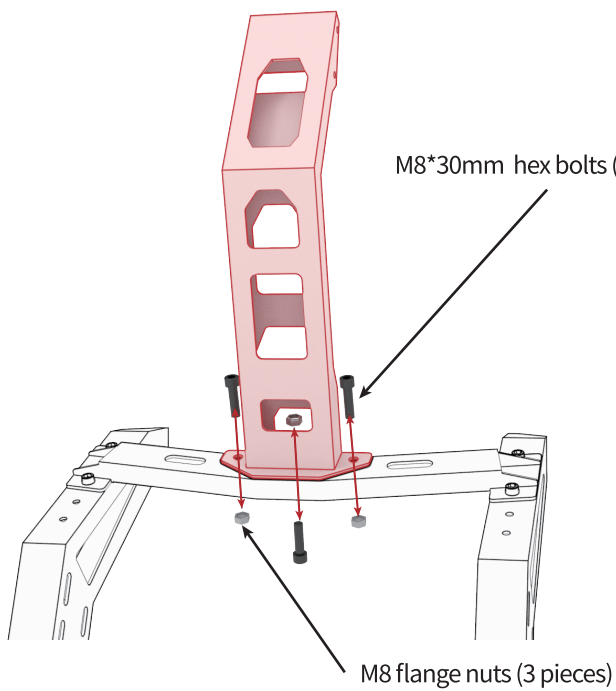
# 1

M8\*16mm hex bolts (4 pieces)

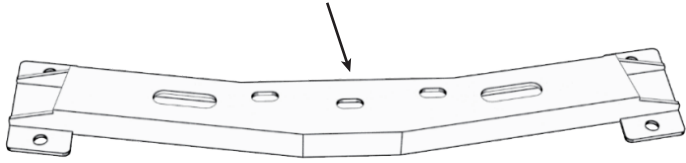


# 2

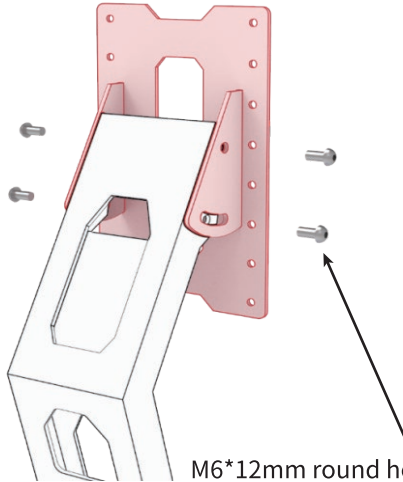
M8\*30mm hex bolts (3 pieces)



The left and right position of the monitor can be fine-tuned through the fixing holes.

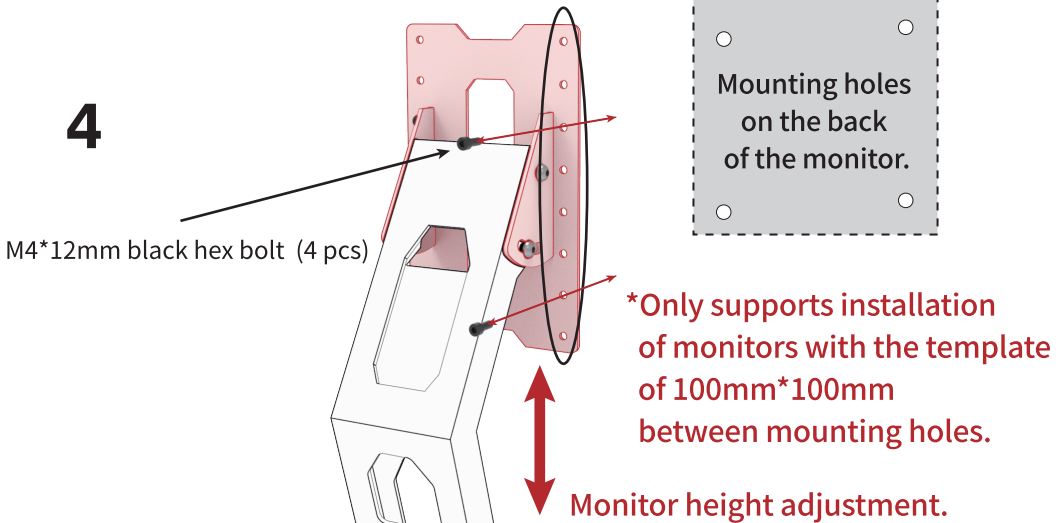


**3**

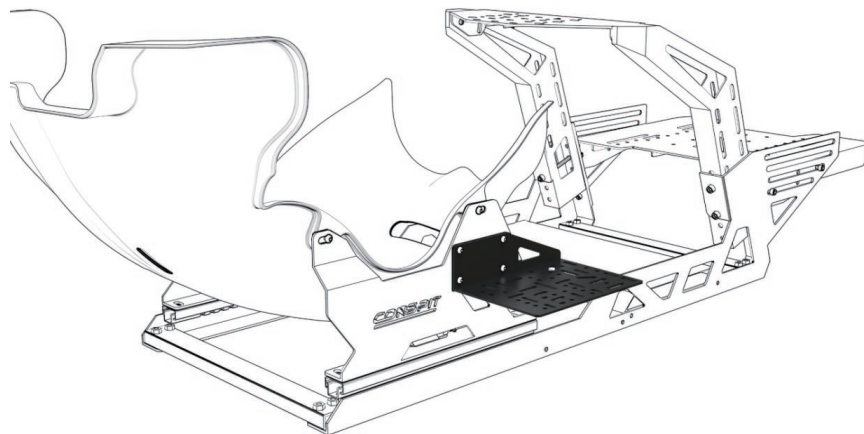


M6\*12mm round head hex bolts (4 pieces)

**4**

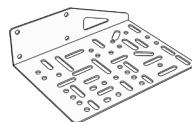


# Handbrake Bracket (need to be purchased separately)

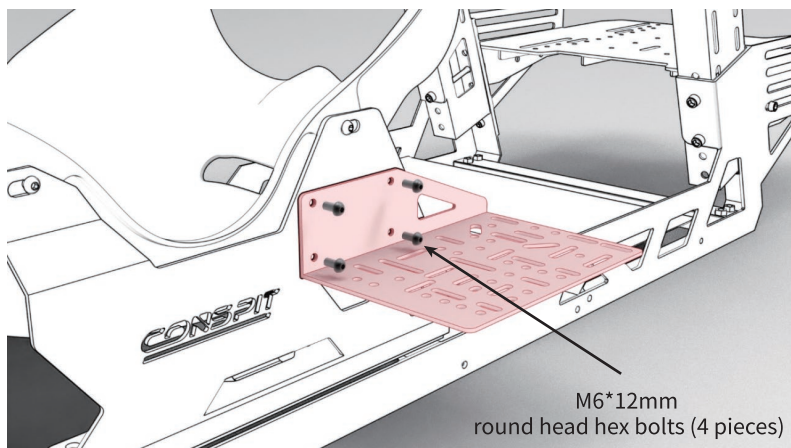


## Accessories required for this step:

M6\*12mm round head hex bolts (4 pieces)

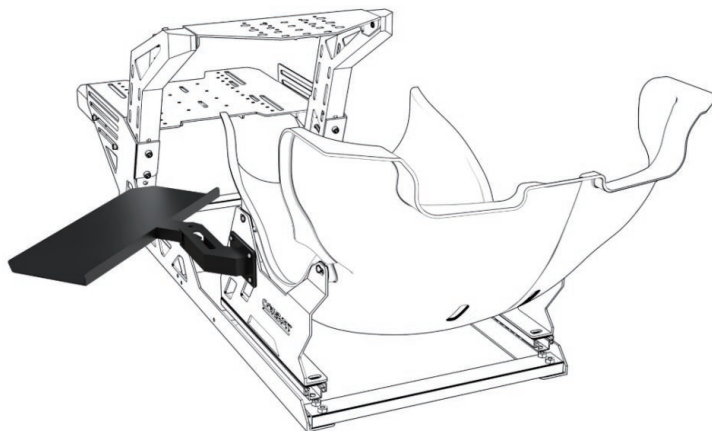


1\*1



M6\*12mm  
round head hex bolts (4 pieces)

# Installation of Keyboard Holder (need to be purchased separately)



## Accessories required for this step:

M8\*45mm black hex bolt (1 pieces)



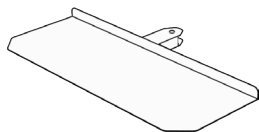
M8 nylon anti-loose nuts (1 pieces)



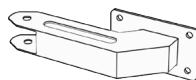
M6\*12mm  
white round head bolt (4 pieces)



ABS pillars and nylon washers

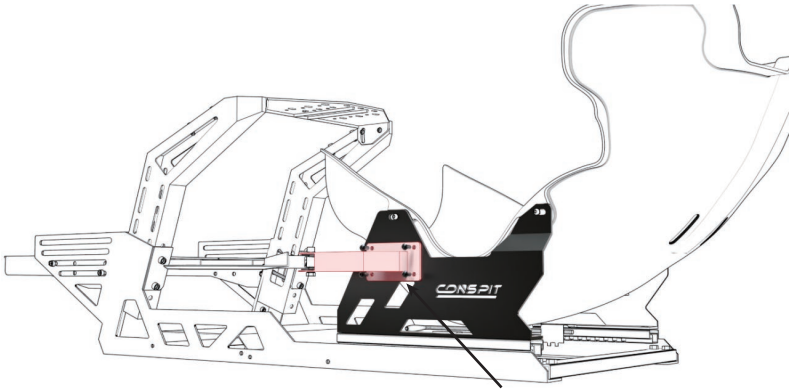


J\*1



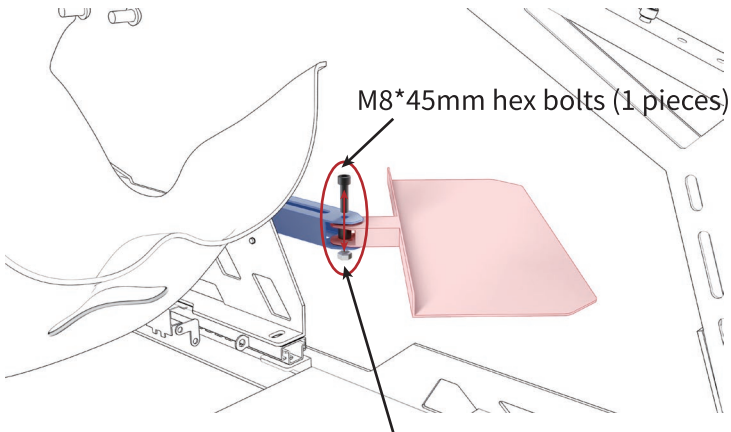
K\*1

1



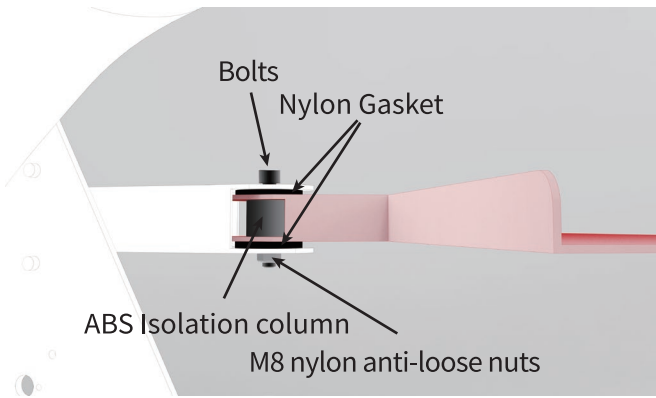
M6\*12mm round head hex bolts (4 pieces)

2



M8\*45mm hex bolts (1 pieces)

M8 nylon anti-loose nuts (1 pieces)



Bolts

Nylon Gasket

ABS Isolation column

M8 nylon anti-loose nuts