

CONSPIT GT-lite



Quick Guide

Product Disclaimer

We hereby reminds you that:

Before using this product, please ensure that you have carefully read and fully understood this Product Disclaimer and all the following product safety tips and operation specifications. To the extent permitted by the laws of the People's Republic of China, Ensu (Shanghai) Electronic Technology Co., Ltd. is not responsible for all personal injury and/or property damage caused by your failure to obey any of the following safety tips or operating specifications.

If you have any questions about this Disclaimer or the following product safety tips and operating specifications, you can consult through support@conspit.com. In the process of reading this Disclaimer and the following product safety tips and operating specifications, you should immediately stop using this product if you do not agree with any of the contents. If you do use this product, your behavior will be regarded as an acceptance of this Disclaimer and the following product safety tips and operation specifications.

- **Safety messages during handling and installation:**

- The product and its components are relatively heavy in weight. Please ensure that you or the installer and user have sufficient lifting capacity. When handling and installing parts, please do so within your capabilities. We recommend that at least two people work together to handle and install the product.
- The product is made of metal and has certain sharp edges. There is a possibility of collision injuries during the handling and installation of parts. Please do not wear slippers, shorts, or clothing that exposes a lot of skin during installation and use.
- When picking up and moving items, please make sure you have a firm grip. Dropping components can cause property damage or even personal injury.

- **It is essential to use this product under safe conditions:**

- Please ensure that the user has the ability to move independently and is conscious. Do not use this product when sick, fatigued, or under the influence of alcohol/drugs.

- **Ensure proper installation of the product:**

- This product requires you to complete some installation work. Make sure that all parts of the bracket are properly and securely installed. Please follow the steps and instructions in the product manual during the installation process. Using the product without proper installation may result in the following: partial fasteners coming loose and causing collision injuries, parts detaching and causing injury to yourself or others.

- **Safety information for product placement:**

- Do not pile up debris within a 50-centimeter radius around the product. Leave enough space around the product for comfortable use and movement.

- **Safety information during play:**
 - Do not carry sharp objects (such as keys, screwdrivers, utility knives, etc.) during activities. Otherwise, serious personal injuries may occur.
 - Avoid others entering the user's operating area.
 - Avoid using excessive force. This product has been designed and manufactured with large structural strength and safety margins to prevent component detachment/failure. However, improper application of force beyond normal usage may still cause component damage, leading to potential safety risks.

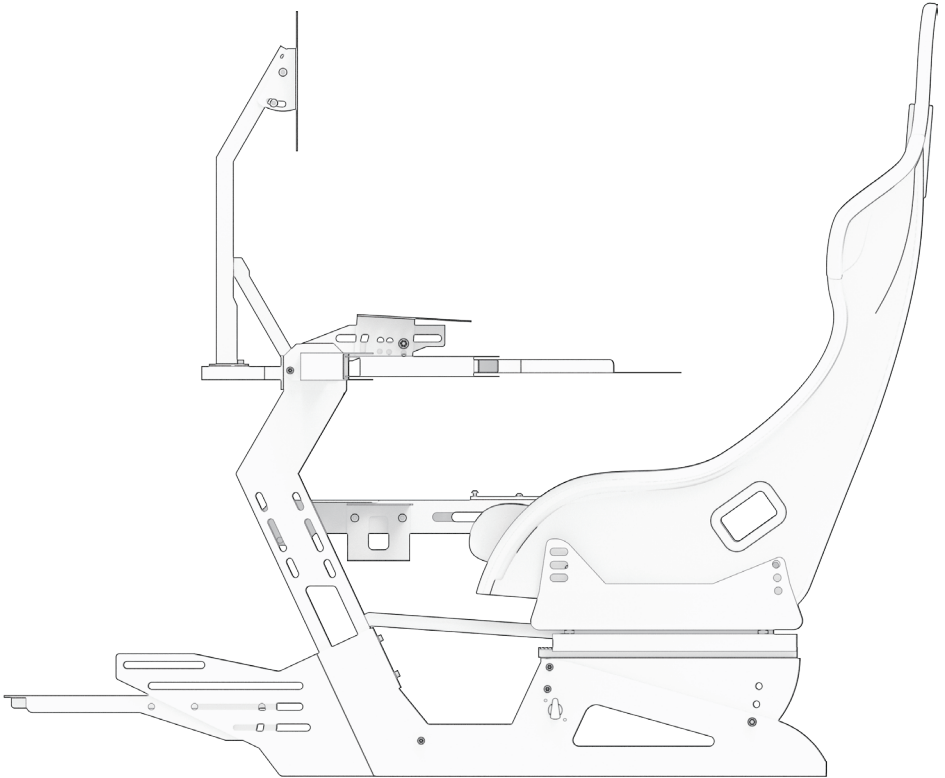
- **Situations that may pose hazards during normal use include, but are not limited to:**
 - Other people or pets coming close to the user's operating area.
 - Electrical cables near the working area of pedals, steering wheels, and other moving parts.
 - User's foot slipping off the pedal when applying force.
 - Exposed skin on knees, arms, feet, legs, and other body parts due to inadequate clothing coverage.

- **Follow all safety tips and operating procedures:**
 - Avoid using the product for an extended period - prolonged continuous use may cause fatigue, muscle pain, or other negative effects. We recommend a maximum single-use time of 2 hours, and the daily maximum recommended usage time should not exceed 6 hours.
 - Prohibit independent use by children under 12 years old, this product is not designed for use by children. Children should use this product under the supervision of their guardian.

- **Malfunctioning and damaged products:**
 - If the product is damaged or cannot be used properly, please stop using it immediately and consult CONSPIT's after-sales customer service. Continuing to use it may cause further damage to the product.
 - Do not attempt to repair the product or its accessories by yourself.

- **General preventive measures:**
 - Please store and protect the product and its accessories properly.
 - Do not immerse the product in liquid.
 - Do not use the product in any environment with flammable substances.
 - Using the product in dusty or dirty locations may cause damage.
 - Do not drop the product (or its components) or subject it to physical impact.

CONSPIT GT-style series is specifically designed for GT racing and sports-car seating posture. With a well-developed ergonomic system, it offers powerful adjustability to meet the personal preferences of each driver.



GT-lite is designed with an Easy-Assembly Structure. Please verify all the components listed in the packing list before starting the installation. Follow the instructions in the manual to complete the installation and fine tune your driving position.

The installation process is expected to take 20-40 minutes.

Packing list



M6*12mm
Round head hex bolts
(26 pieces)



M8 flange nuts
(26 pieces)



M8 nylon anti-loose nuts
(6 pieces)



M8*16mm
Hex bolts (18pieces)



M8 Spacer
(5 pieces)



M8*16mm
round head hex bolts
(5 pieces)



M8*100mm
Semi-tooth bolts (5 pieces)



13mm
open-end wrench
(1 pieces)



Gloves



Carpet (1 carpet)

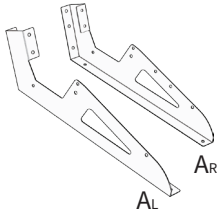


Hex wrench 6.0
Hex wrench 5.0
Hex wrench 4.0
Hex wrench 2.5
Hex wrench 2.0

***Safety Warning: Contains metal parts with sharp edges, stay safe when installing.**

Packing list

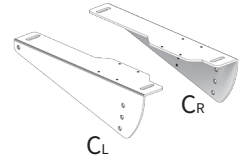
A×2



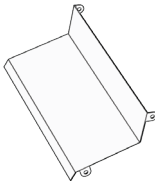
B×2



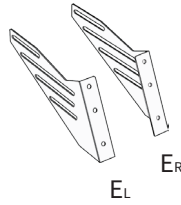
C×2



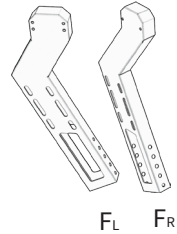
D×1



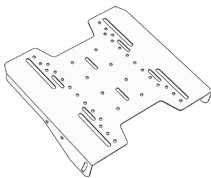
E×2



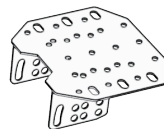
F×2



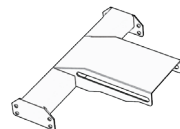
G×1



H×1



I×1



***Safety Warning: Contains metal parts with sharp edges, stay safe when installing.**

Packing list (pre-assembled version)

* Skip to page 13 if your GT-lite is pre-assembled version.



M6*12mm
Round head hex bolts
(6 pieces)



M8 flange nuts
(22 pieces)



M8 Spacer (5 pieces)



M8*16mm
round head hex bolts (5 pieces)



M8*16mm
Hex bolts (18pieces)



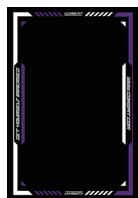
13mm
open-end wrench
(1 pieces)



Gloves



Hex wrench 6.0
Hex wrench 5.0
Hex wrench 4.0
Hex wrench 2.5
Hex wrench 2.0



Carpet (1 carpet)



pre-assembled rig body

01 Installation of seat base



Parts required for this step:

M6*12mm
Round head hex bolts (12 pieces)



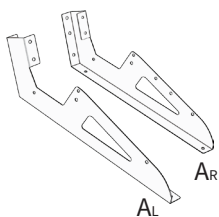
M8*16mm Hex bolts (4 pieces)



M8 flange nuts (4 pieces)



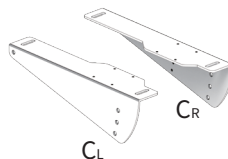
A×2



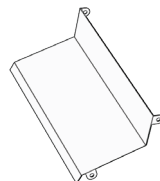
B×2



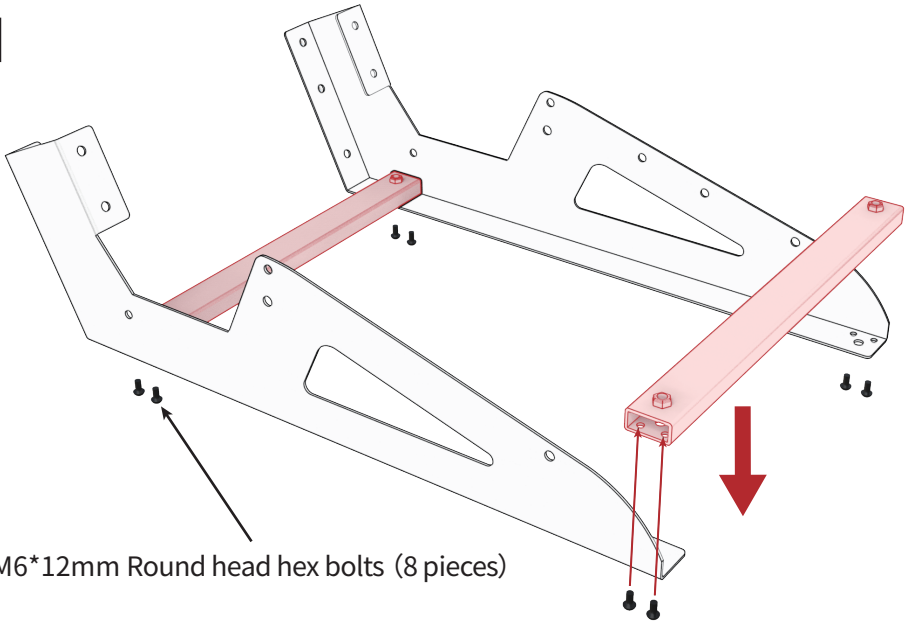
C×2



D×1



1

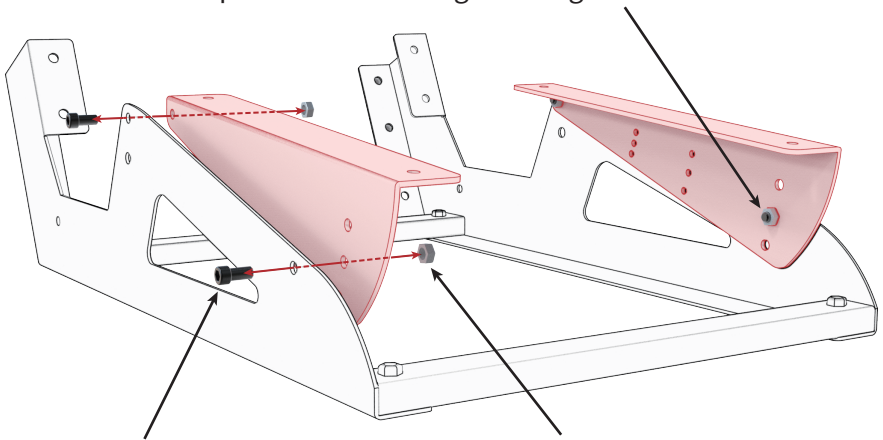


M6*12mm Round head hex bolts (8 pieces)

*** Do not tighten the bolts in this step for the convenience of subsequent installation steps.**

2

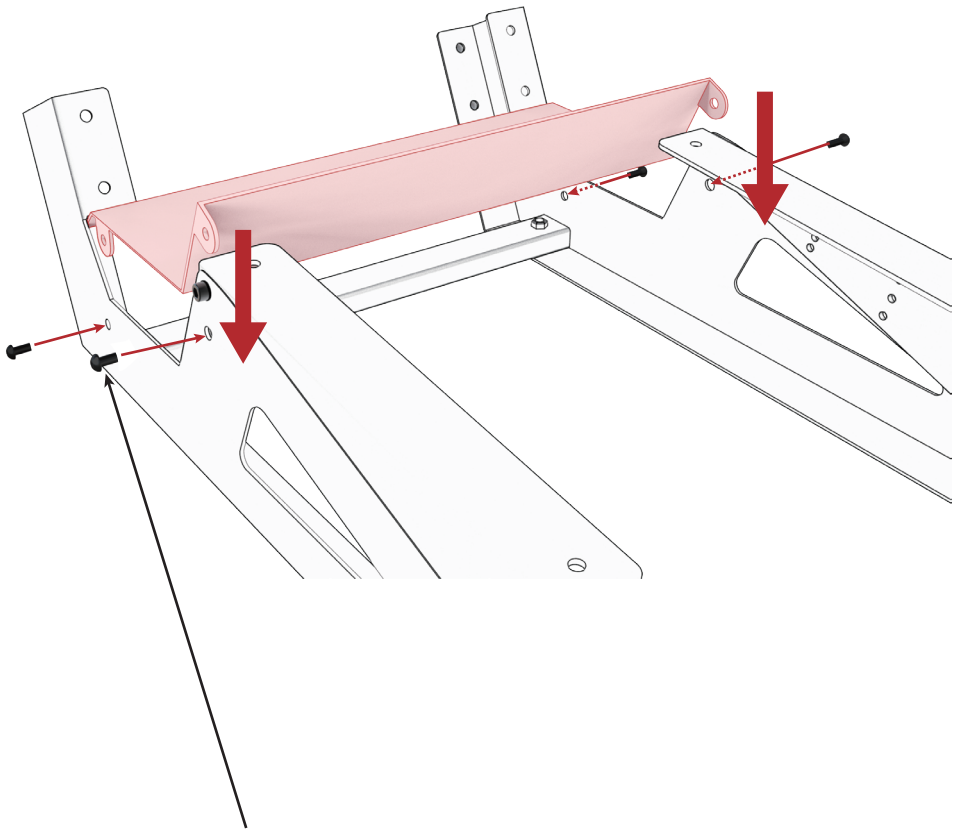
The position shown in the picture is the recommended seating position. However, you can adjust the rear mounting position of the L-shaped plate to your preference to change the angle of the seat.



M8*16mm Hex bolts (4 pieces)

M8 flange nuts (4 pieces)

3



M6*12mm Round head hex bolts ((4 pieces))

***Tighten all the fasteners in the previous steps before continue installing.**

02 Installation of the wheelbase supporting pillars

Parts required for this step:

M8*100mm
Semi-tooth bolts (4 pieces)



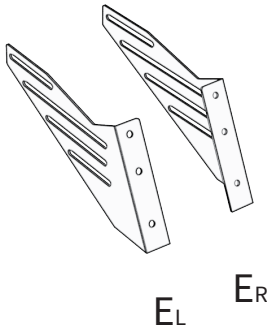
M8 nylon anti-loose nuts
(6 pieces)



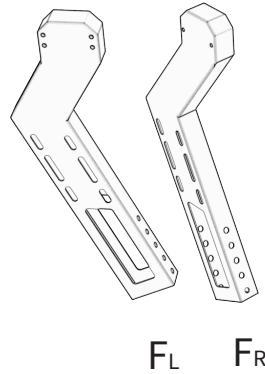
M8*16mm
Hex bolts (2 pieces)



E×2

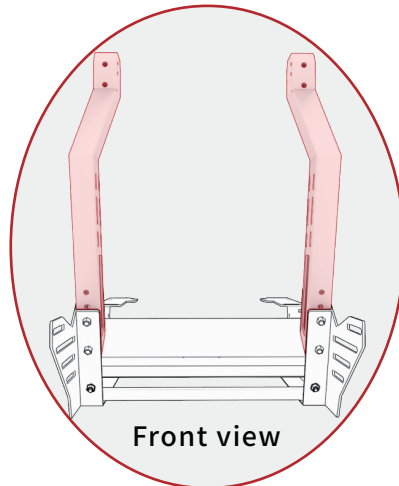
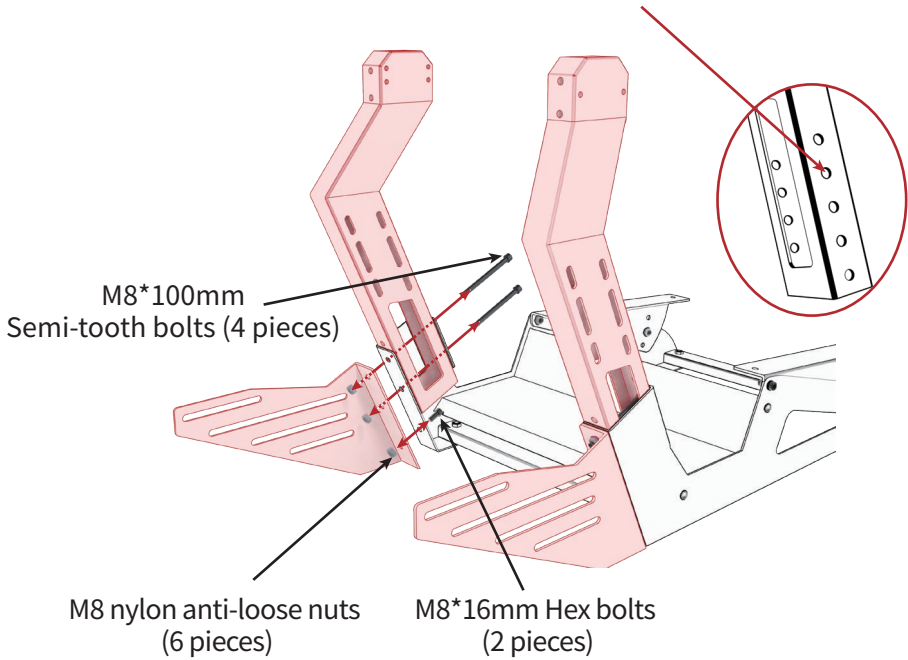


F×2



*** During installation, please ensure that the heights of the pillars on both sides are the same.**

We recommend using this hole position as initial set-up, but if you prefer a different wheelbase height, you can adjust the fixing hole position on the pillar to your desired setting.



03 Installation of pedal mounting plate

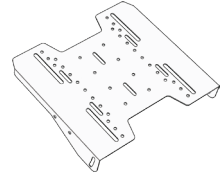
Parts required for this step:

G×1

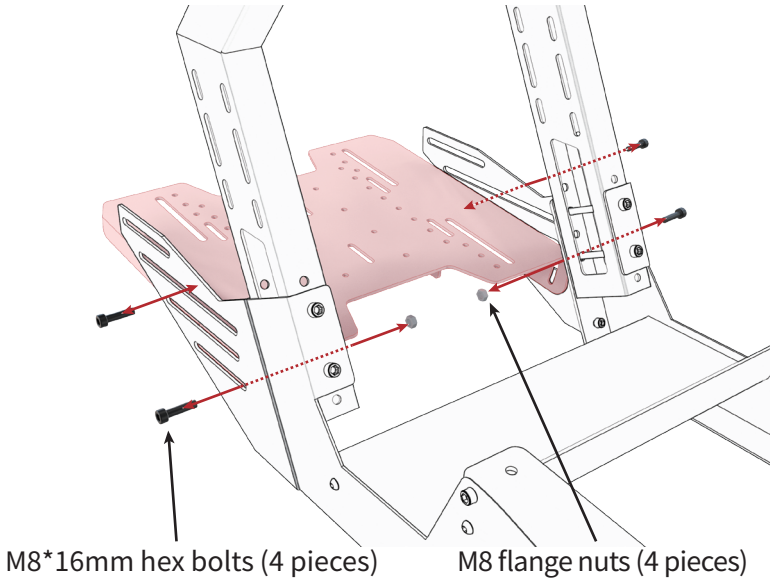
M8*16mm Hex bolts
(4 pieces)



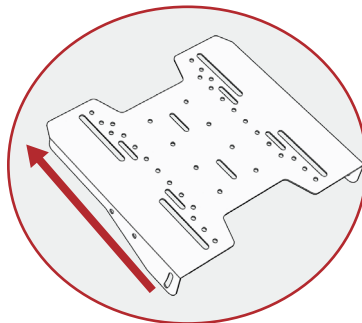
M8 flange nuts
(4 pieces)



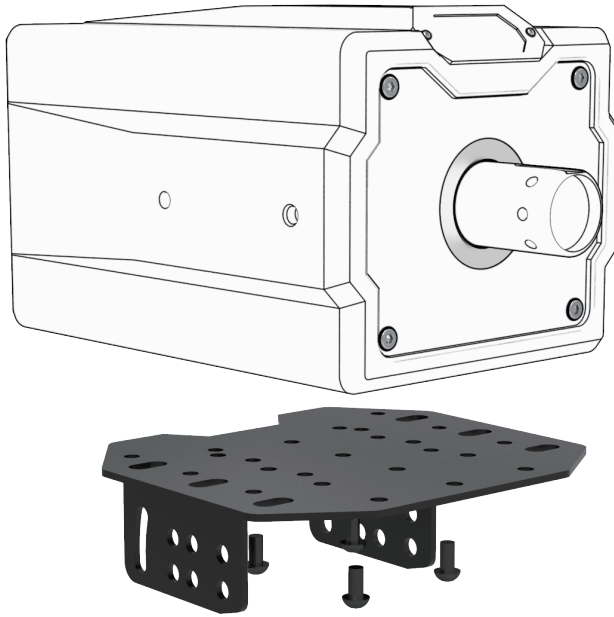
Because the angle of the pedal surface of different brands of pedals may differ, we suggest that you install your pedals on the pedal base before tightening the bolts shown in the figure below to facilitate the adjustment of the driving position.



* Mounting direction



04 Installation of wheelbase mounting plate



Parts required for this step:

M6*12mm
Round head hex bolts (8 pieces)



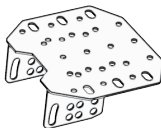
M8*16mm
Hex bolts (4 pieces)



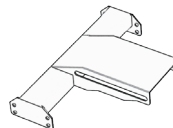
M8 flange nuts
(4 pieces)



H×1



I×1





Please install bolts of the corresponding specifications according to the instructions provided by your base manufacturer.
(GT-lite provides M6*12mm round head hex bolts)

1

Supported devices:

Fanatec: Clubsport V1, Clubsport V2, Clubsport V2.5, CSL, CSL ELITE, DD1, DD2

Thrustmaster: T300, T500 RS, TS-PC Racer, TX-XW Racer, TMX Force Feedback, T-GT

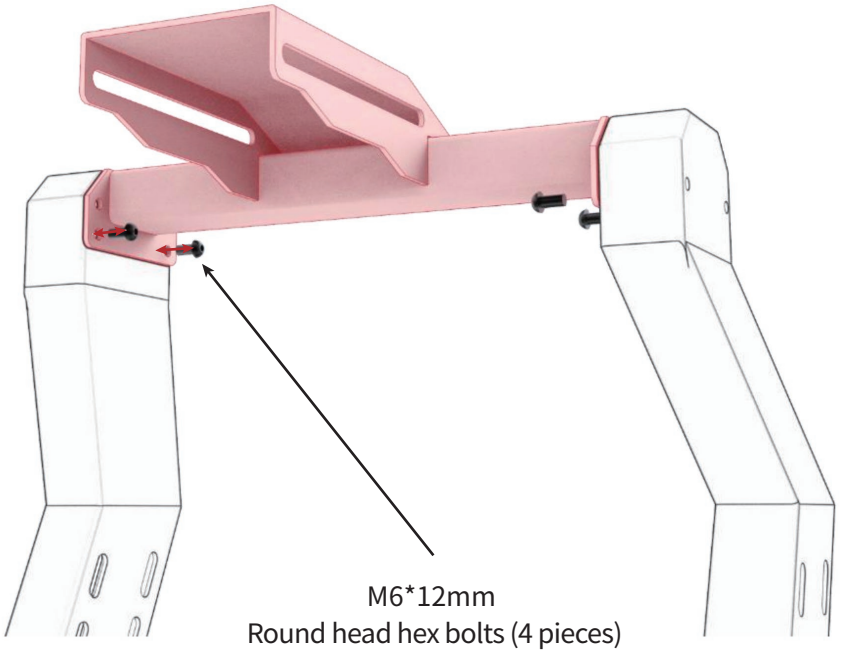
SIMAGIC: M10, ALPHA, ALPHA MINI

Logitech: Driving Force GT, G920, G25, G27, G29, G923

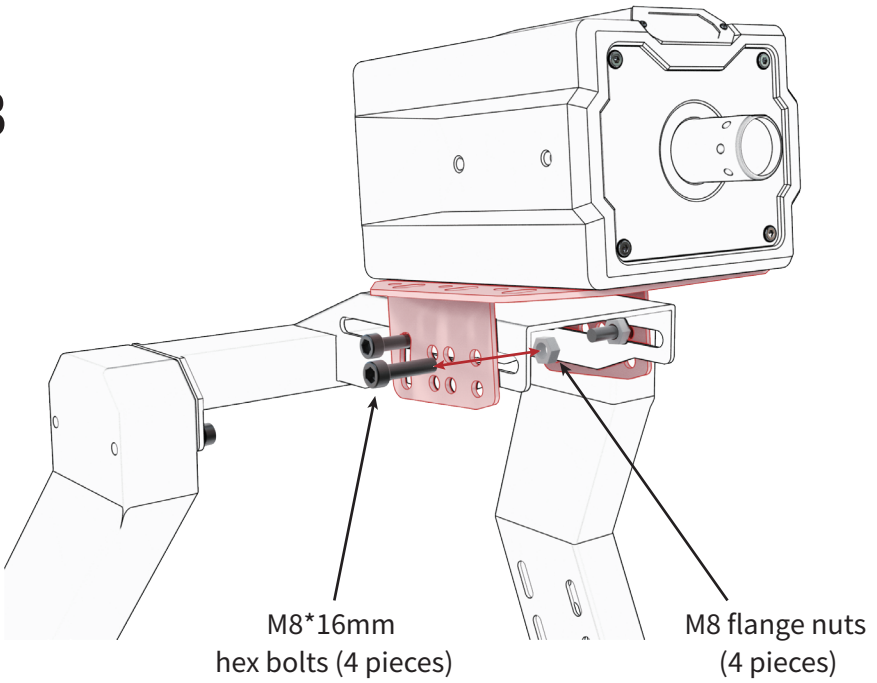
Moza: All series

Simucube: Requires special mounting bracket

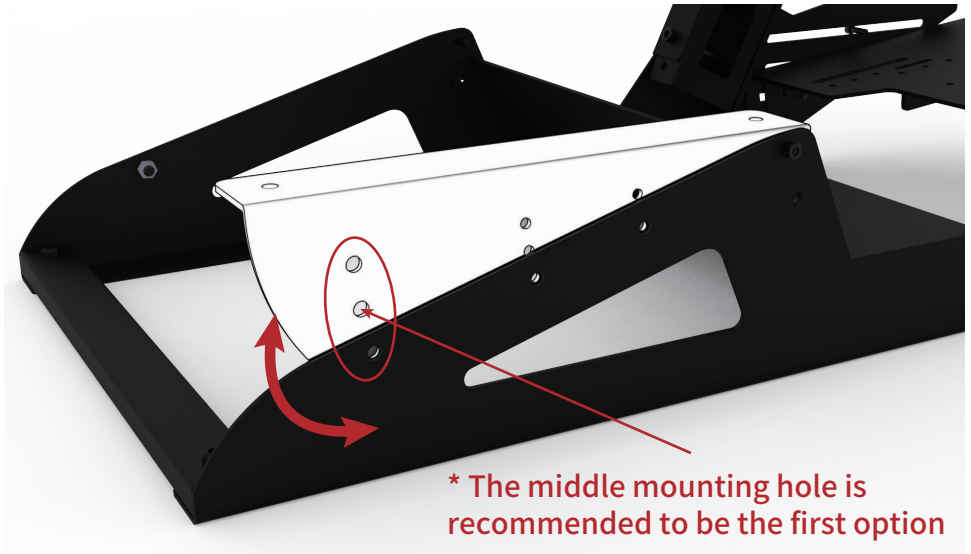
2



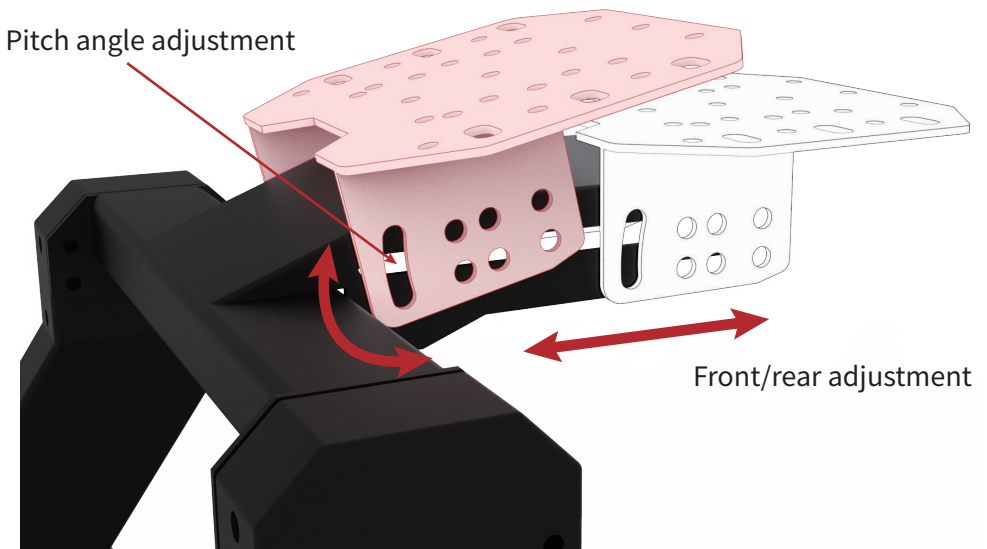
3



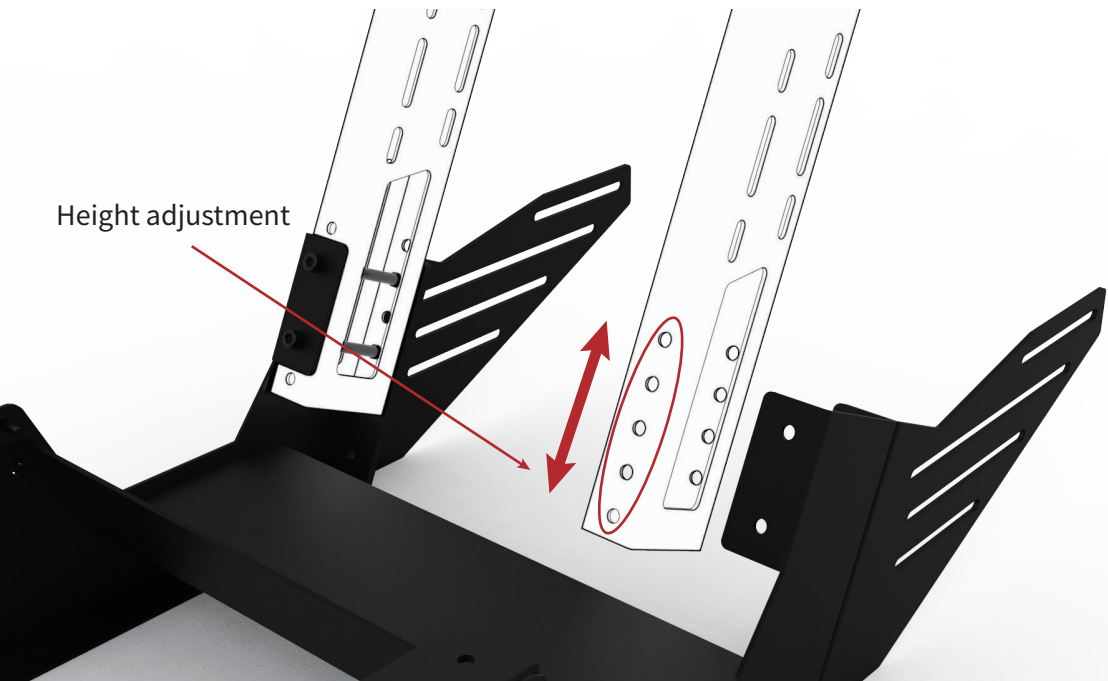
Seat Angle Adjustment



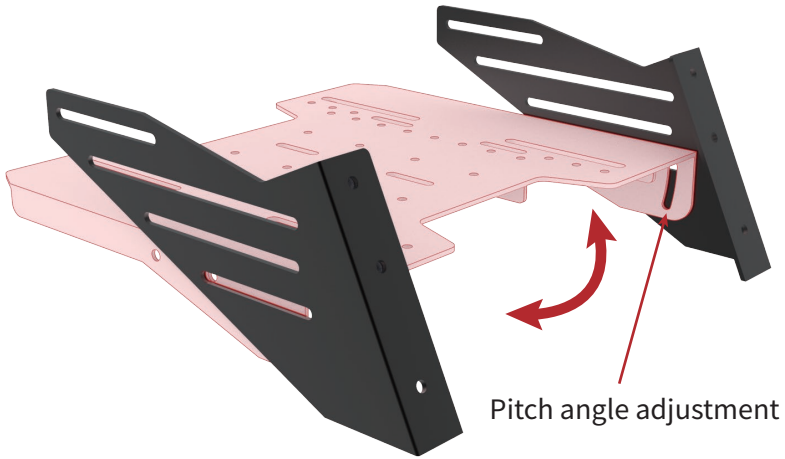
Steering Wheel Position Adjustment



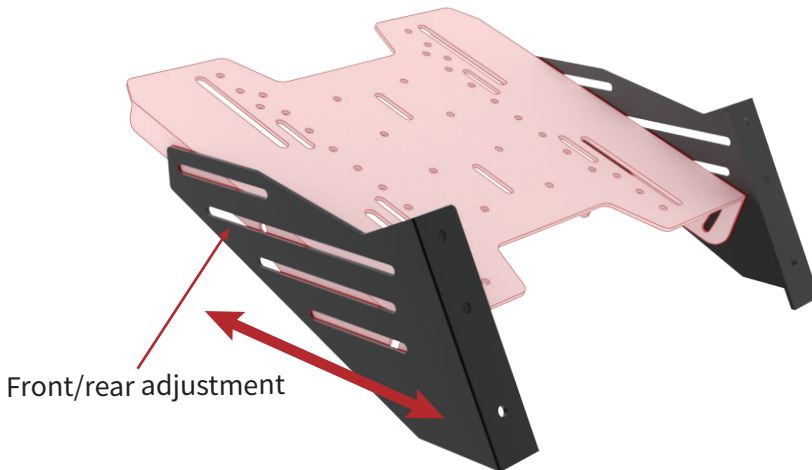
Height adjustment



Pedal Pitch Angle Adjustment



A. The flatter angle of the pedal (-12° — 5°) base is suitable for pedals with a more vertical pedal surface (such as CONSPIT CGP&CPP).

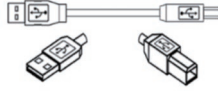


B. The steeper angle of the pedal (10° — 45°) base is suitable for pedals with a certain degree of tilt.

05 Installation of M-DVF kit



M3*8mm bolt (2 pieces)

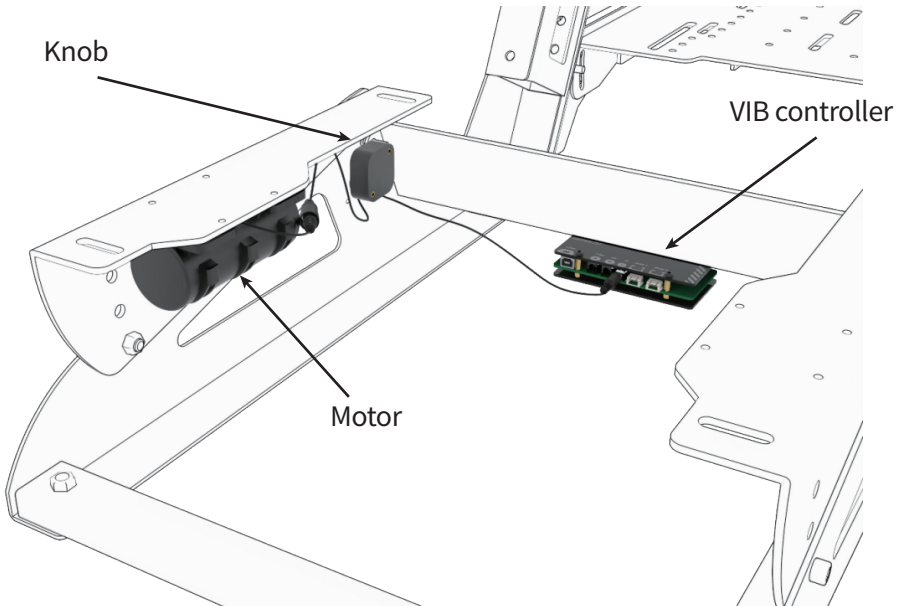


USB cable



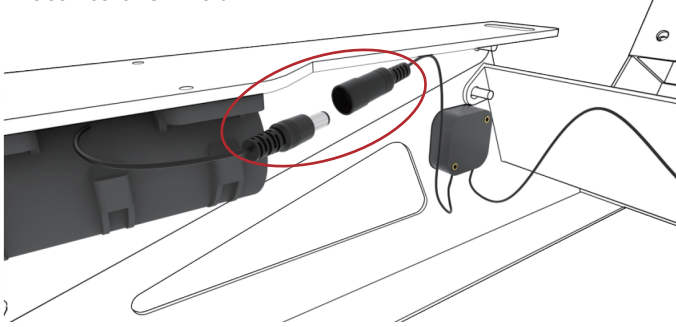
DC 12V power block

***Optional for M-DVF kit users**



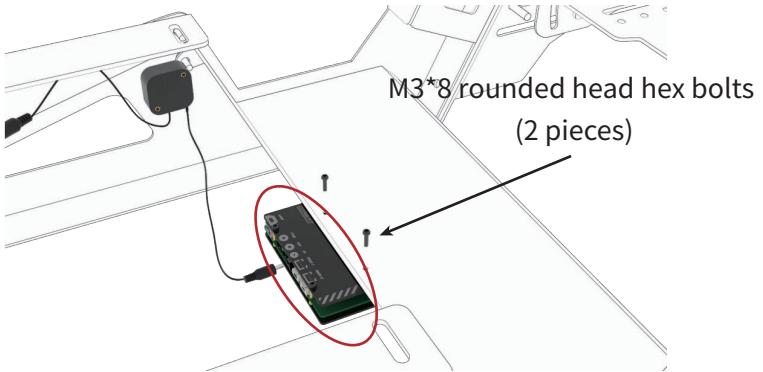
1

Connect the motor to the knob



2

Mount the controller to the rig and connect the knob to the controller.



3

Plug DC 12V power in, then connect the controller to PC through USB cable.



to PC

DC 12V in

06 Installation of seat

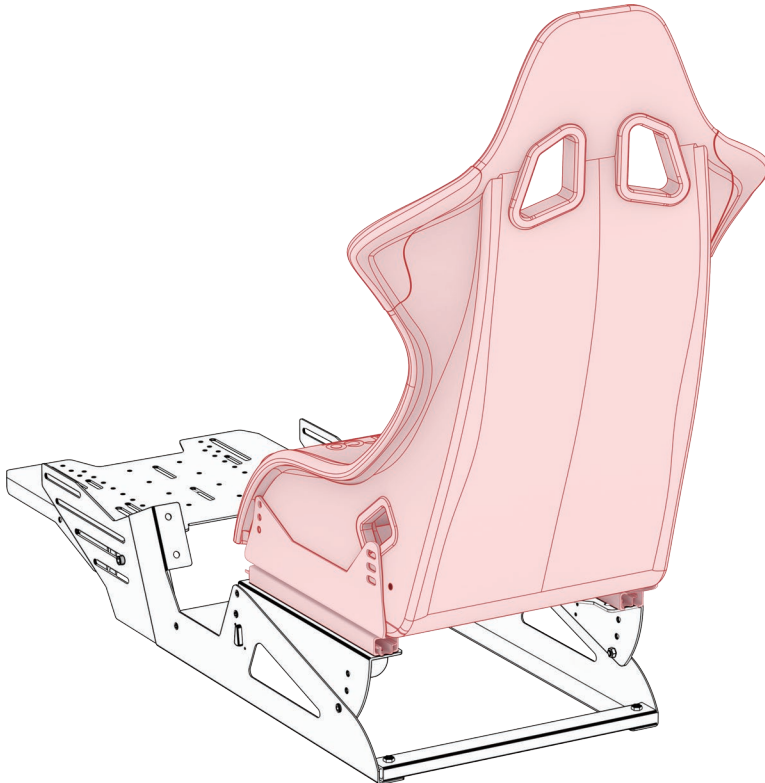
Parts required for this step:

J×1

M8*16mm
Round head hex bolts (4 pieces)



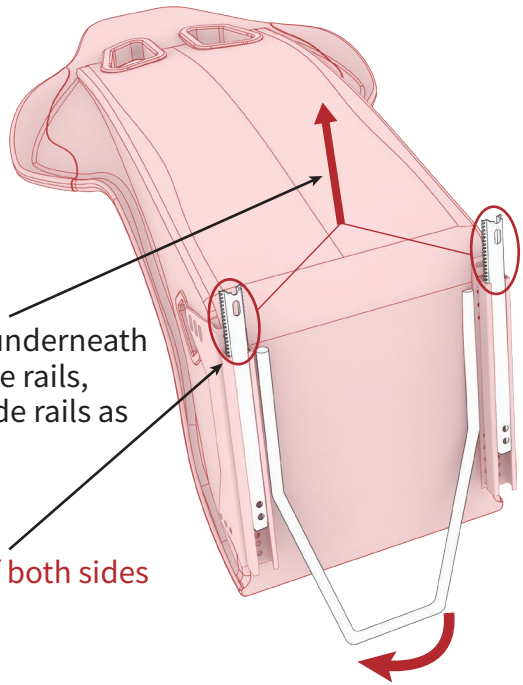
M8 flange nuts
(4 pieces)



1

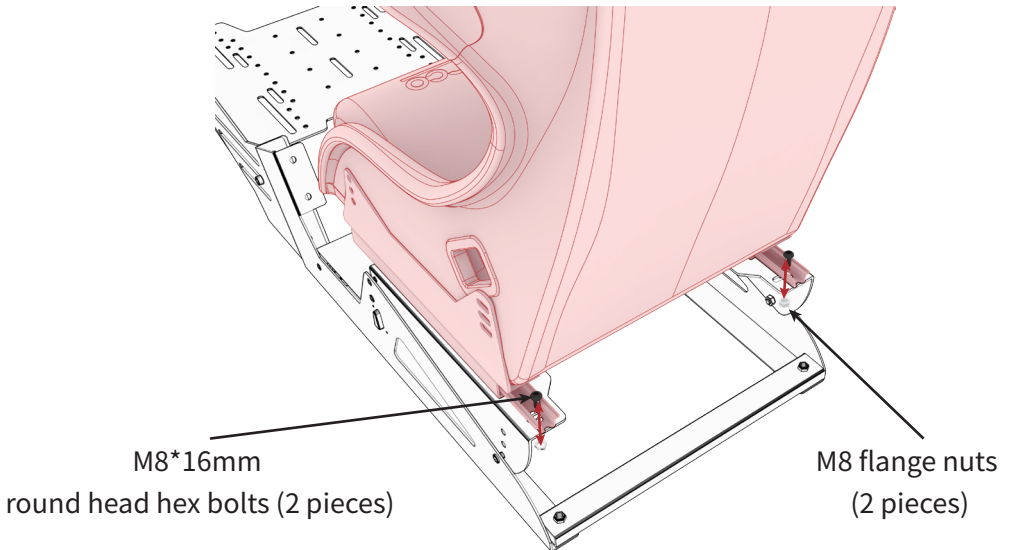
Pull up the lever located underneath the seat to unlock the slide rails, then pull out the inner slide rails as indicated in the diagram.

*Ensure that the length of both sides of the slide rails is equal.



2

Mount the rear end of the seat slide rails to the rig.

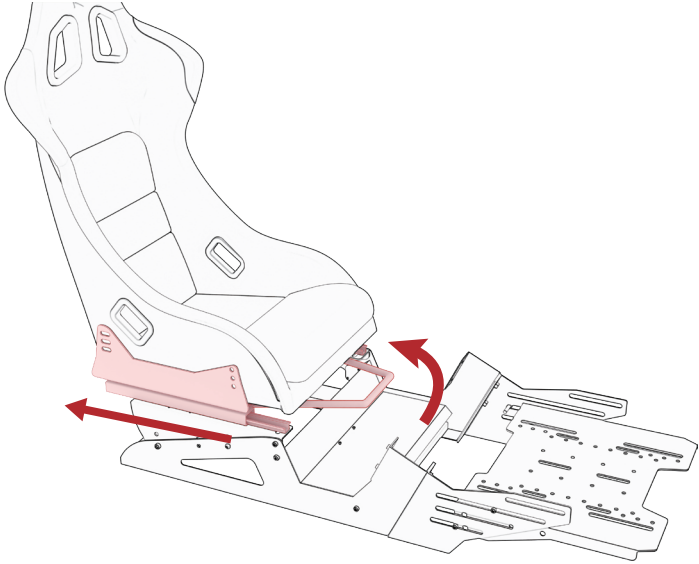


M8*16mm
round head hex bolts (2 pieces)

M8 flange nuts
(2 pieces)

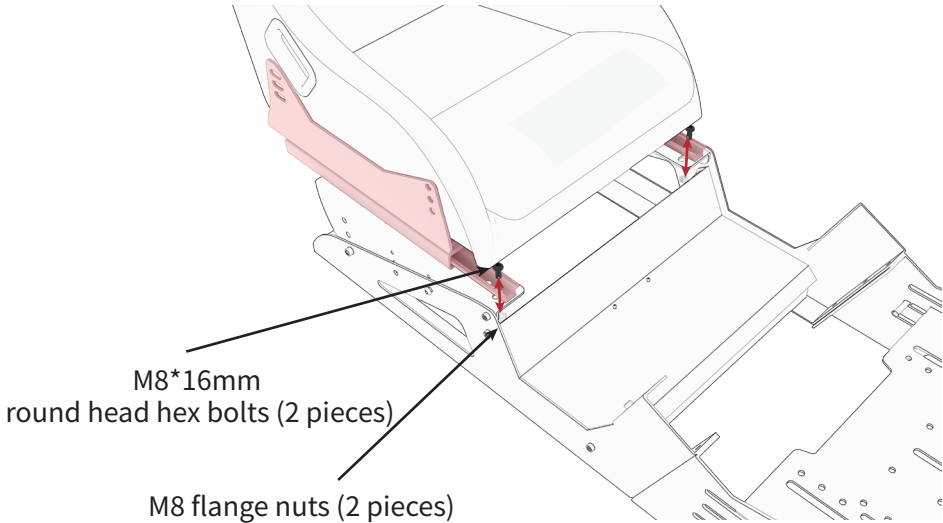
3

Pull up the seat slide rail lever and move the seat backward.



4

Mount the front end of the seat slide rails to the rig.



Installation of the monitor bracket (need to be purchased separately)



Parts required for this step:

M8*16mm
black hex bolt (4 pieces)



M8*30mm
black hex bolt (3 pieces)



M6 flange nuts (1 pieces)



M6*12mm
white round head bolt (12 pieces)



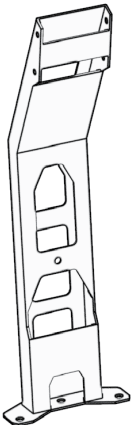
M4*12mm
black hex bolt (4 pieces)



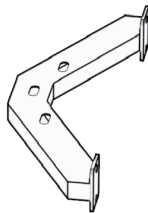
M8 flange nuts (3 pieces)



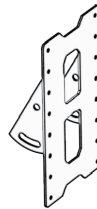
K×1



L×1



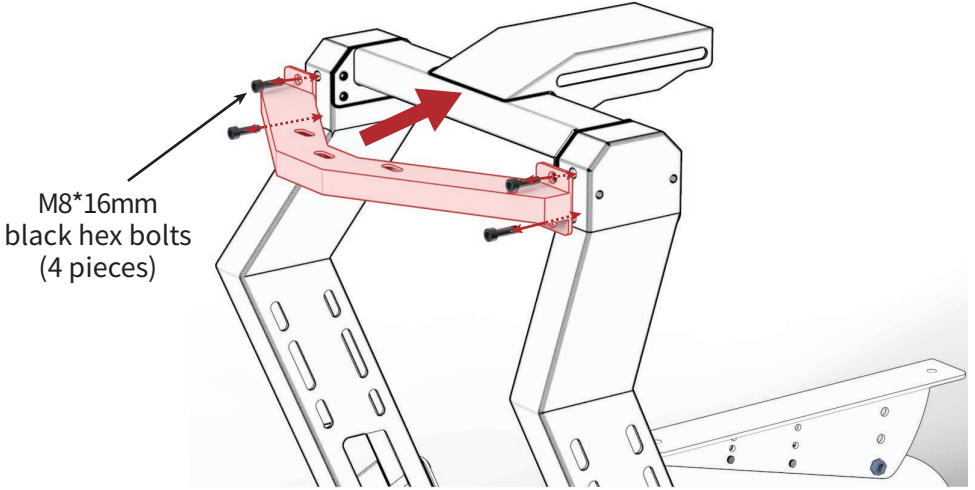
M×1



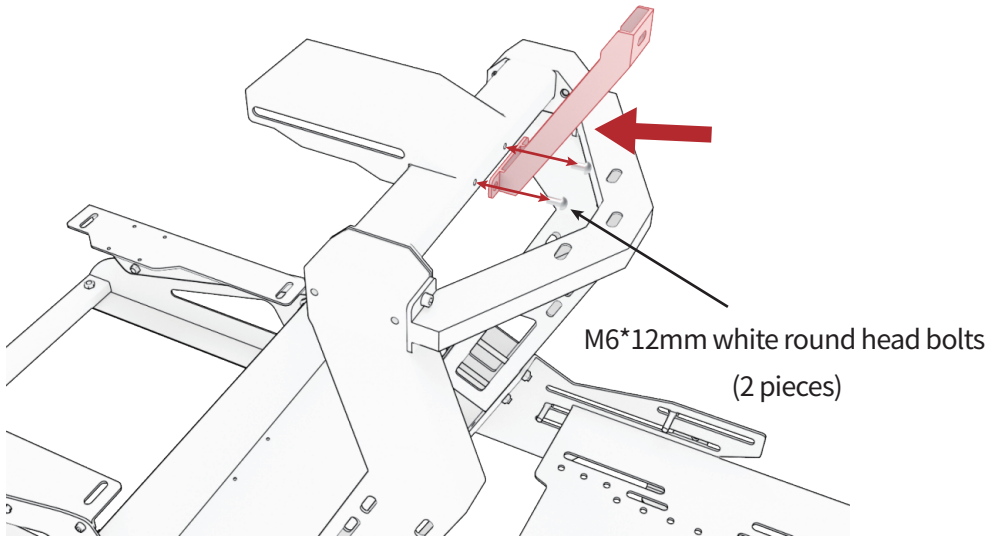
N×1



1



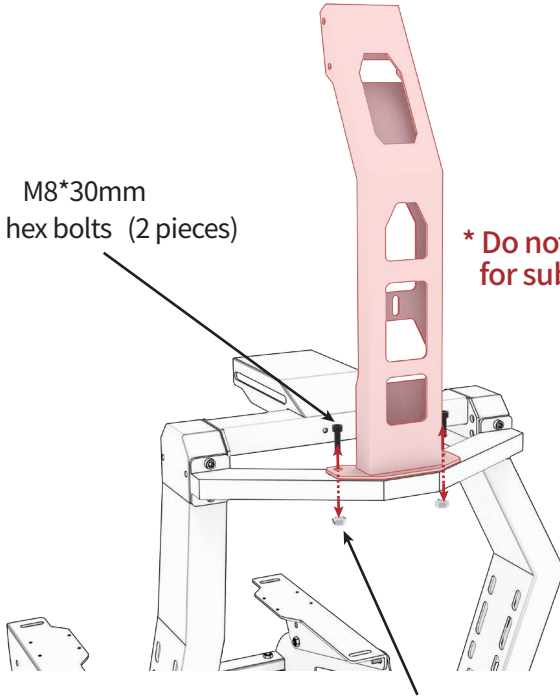
2



3

M8*30mm
black hex bolts (2 pieces)

*** Do not tighten the bolts here
for subsequent installation**

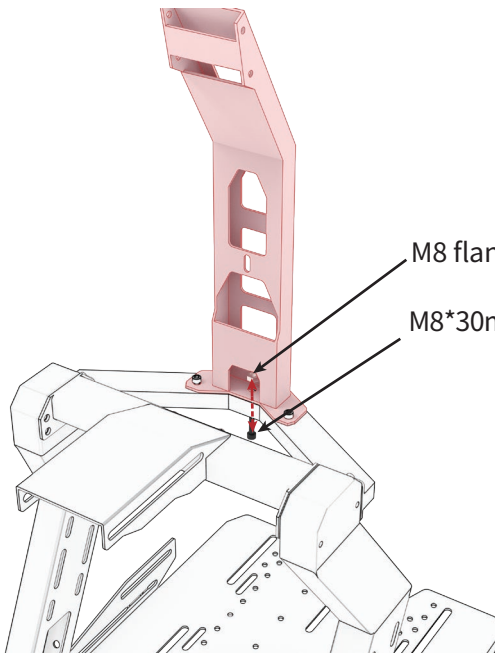


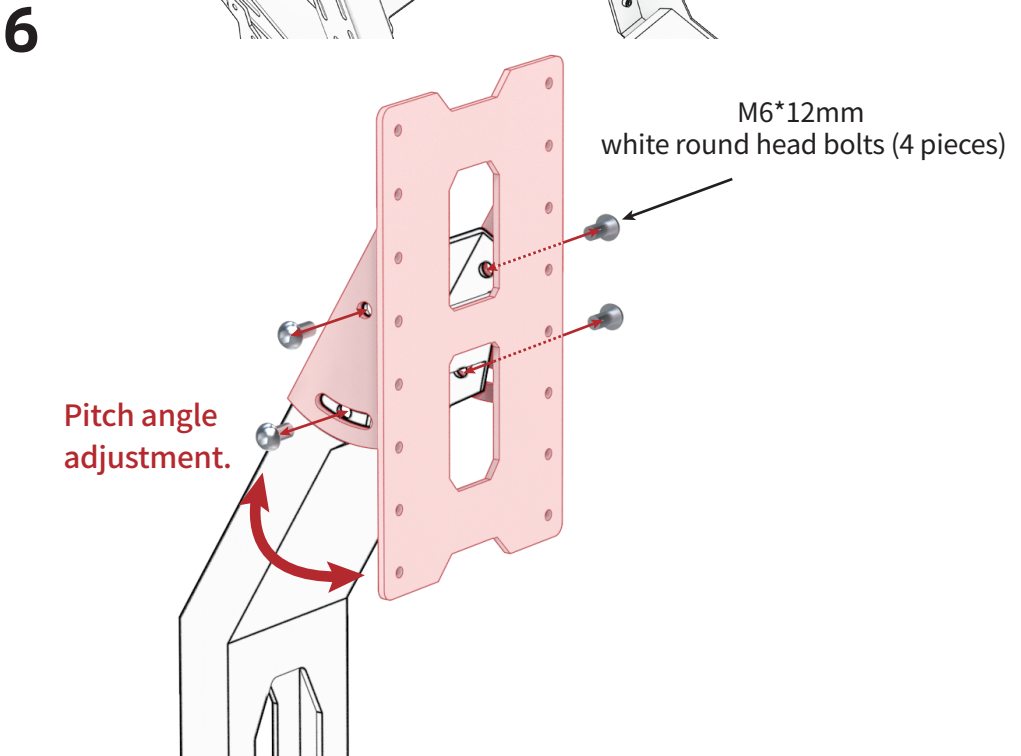
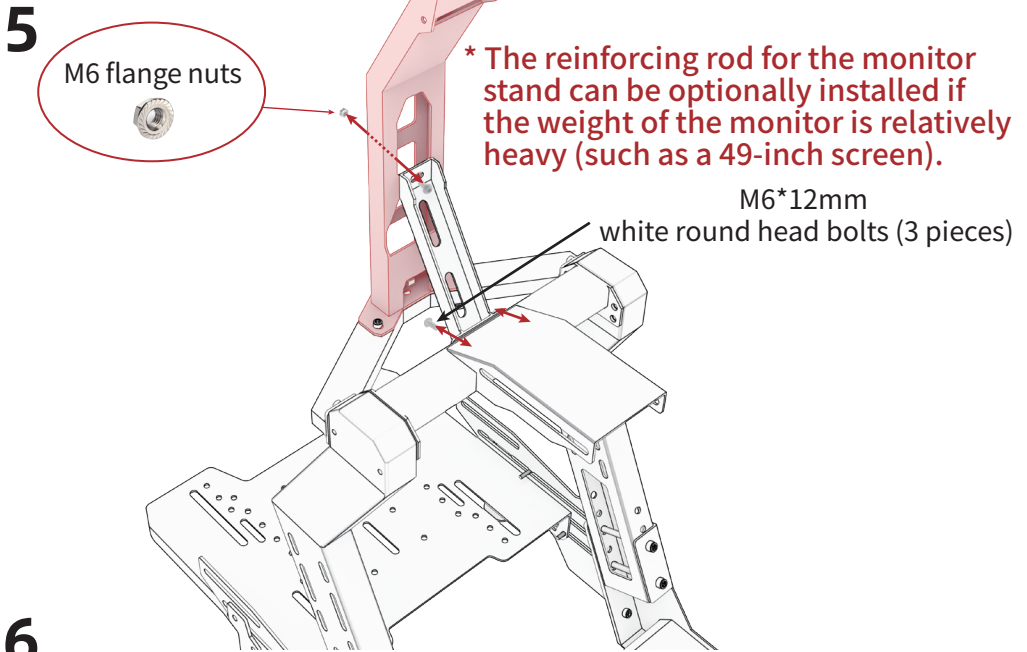
M8 flange nuts (2 pieces)

4

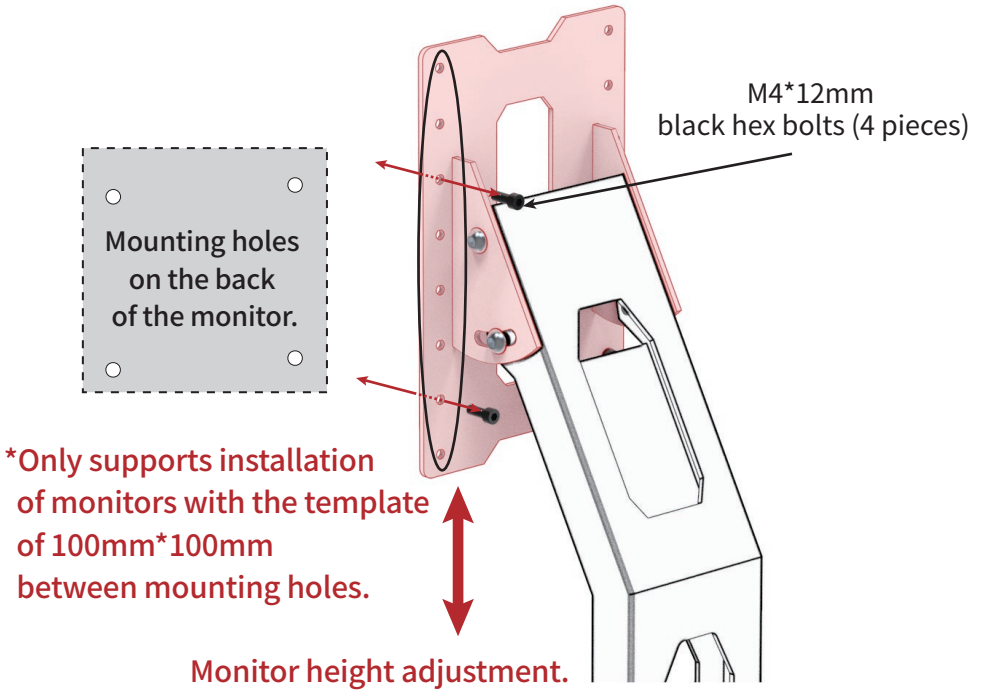
M8 flange nuts (1 pieces)

M8*30mm black hex bolt (1 pieces)

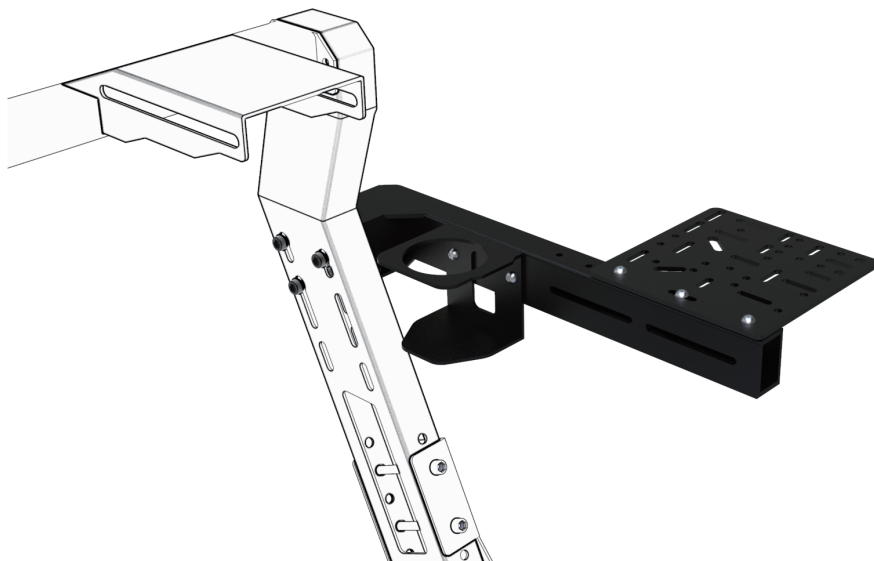




7



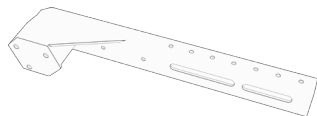
Installation of the shifter/handbrake bracket and bottle holder (need to be purchased separately)



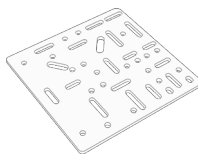
M8*55mm black hex bolts (3 pieces)



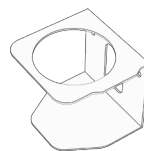
M6*12mm white round head bolts (5 pieces)



O*1

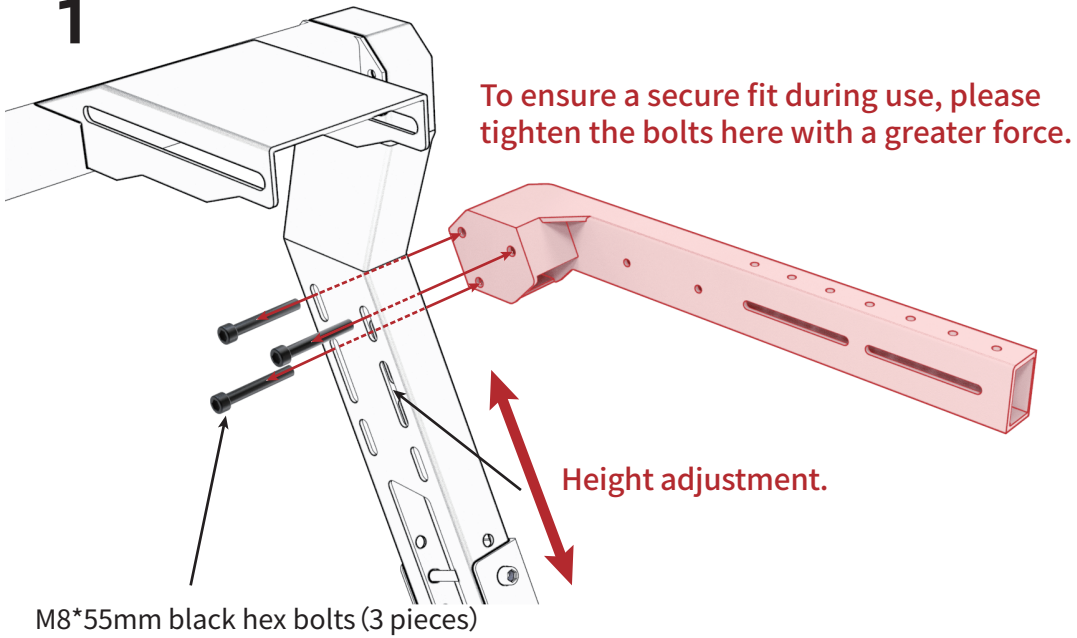


P*1

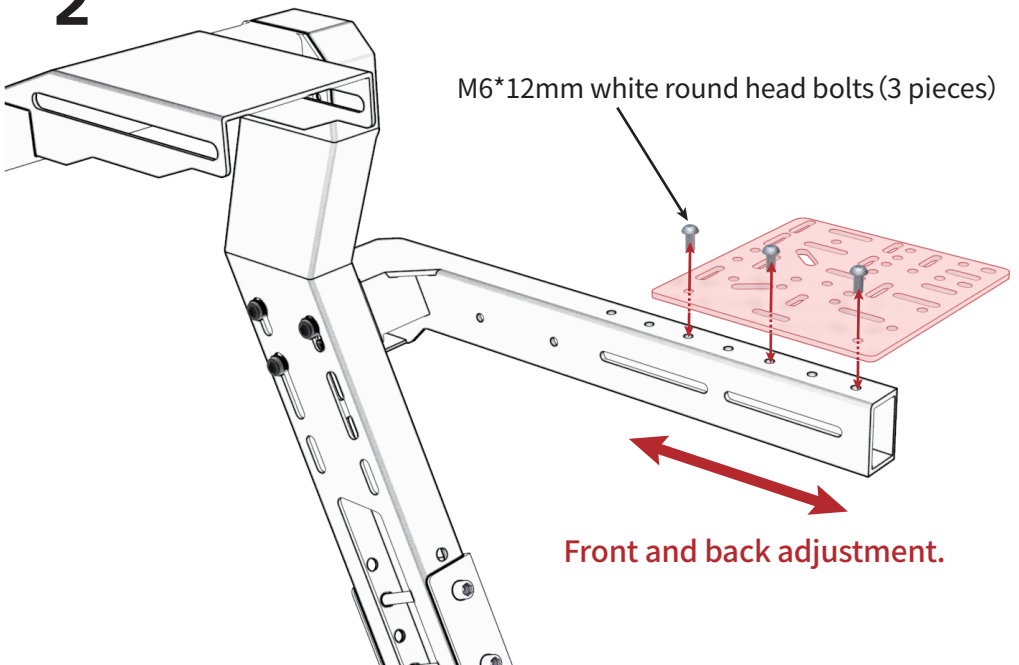


Q*1

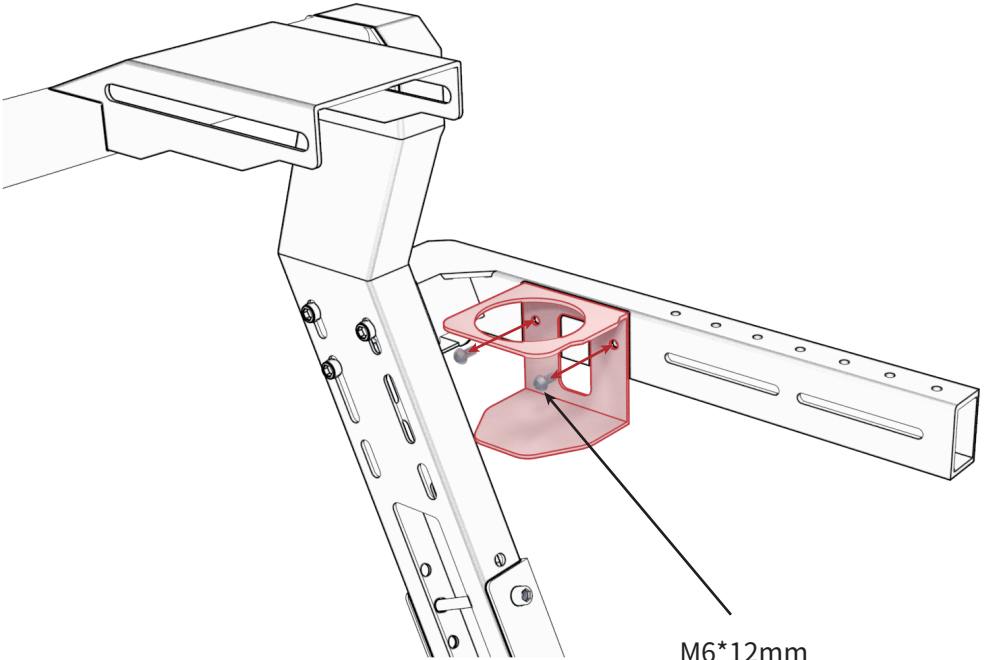
1



2

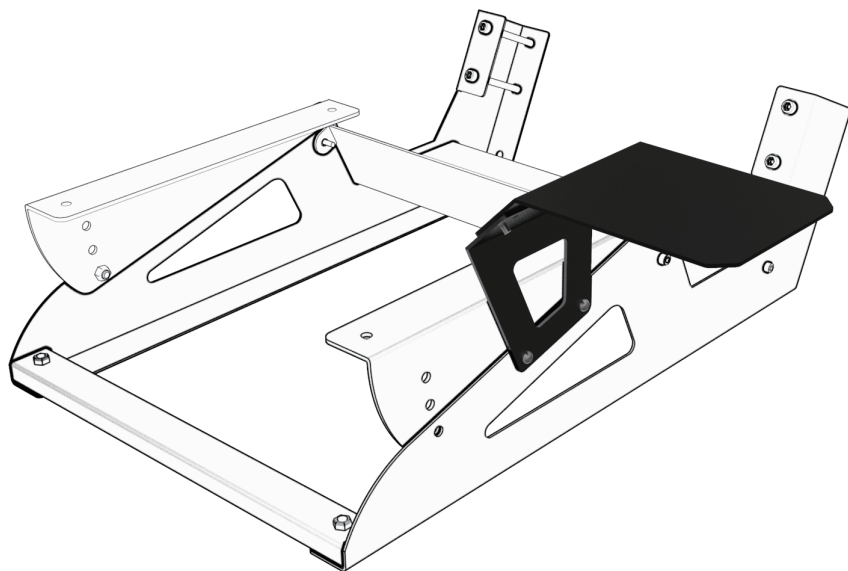


3

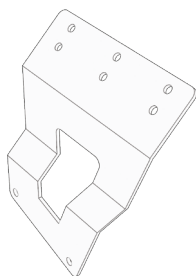


M6*12mm
white round head bolts (2 pieces)

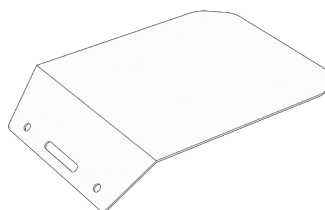
Installation of the mouse pad (need to be purchased separately)



M6*12mm
white round head bolts (4 pieces)

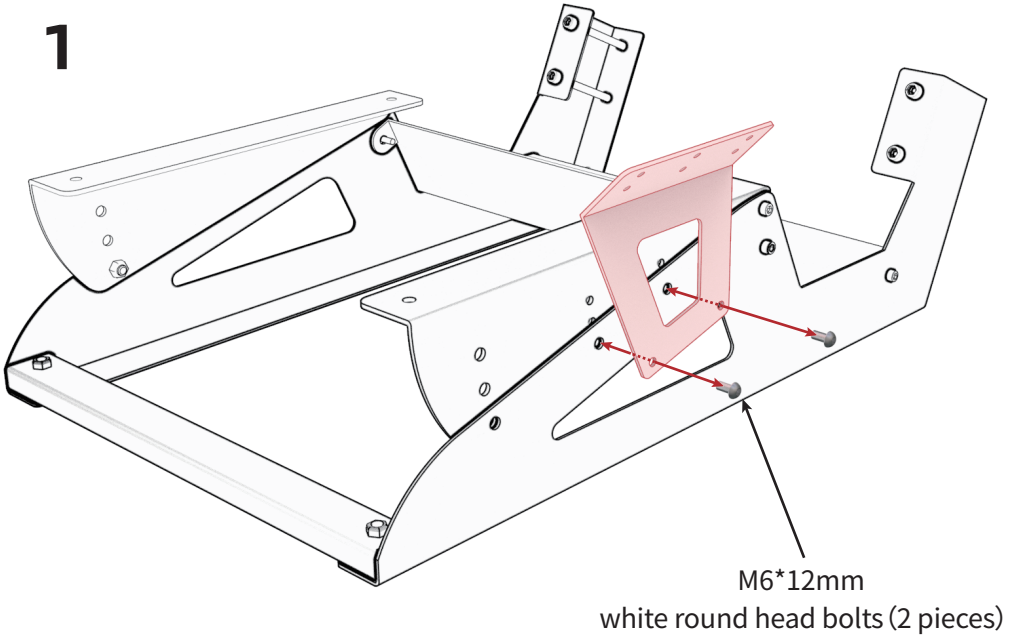


R*1



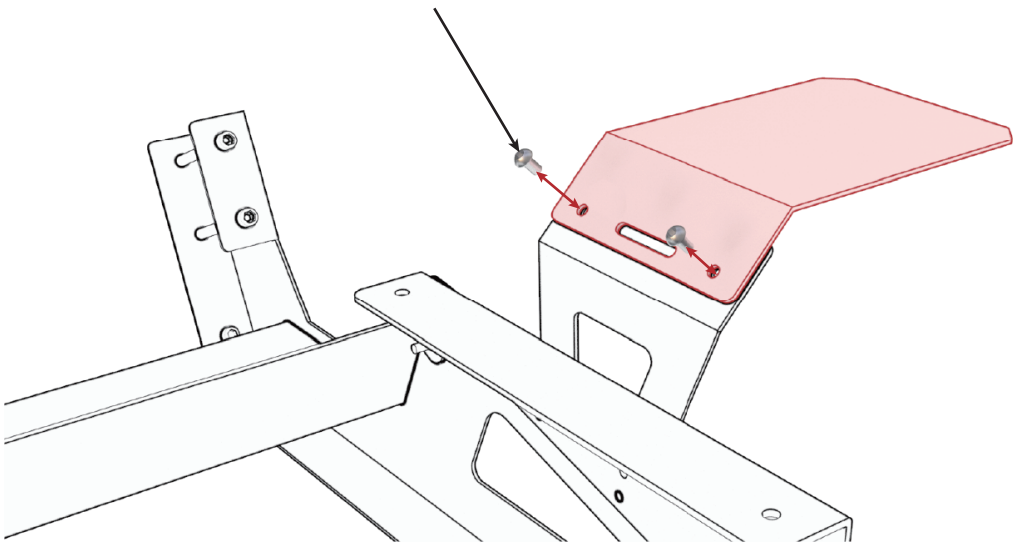
S*1

1

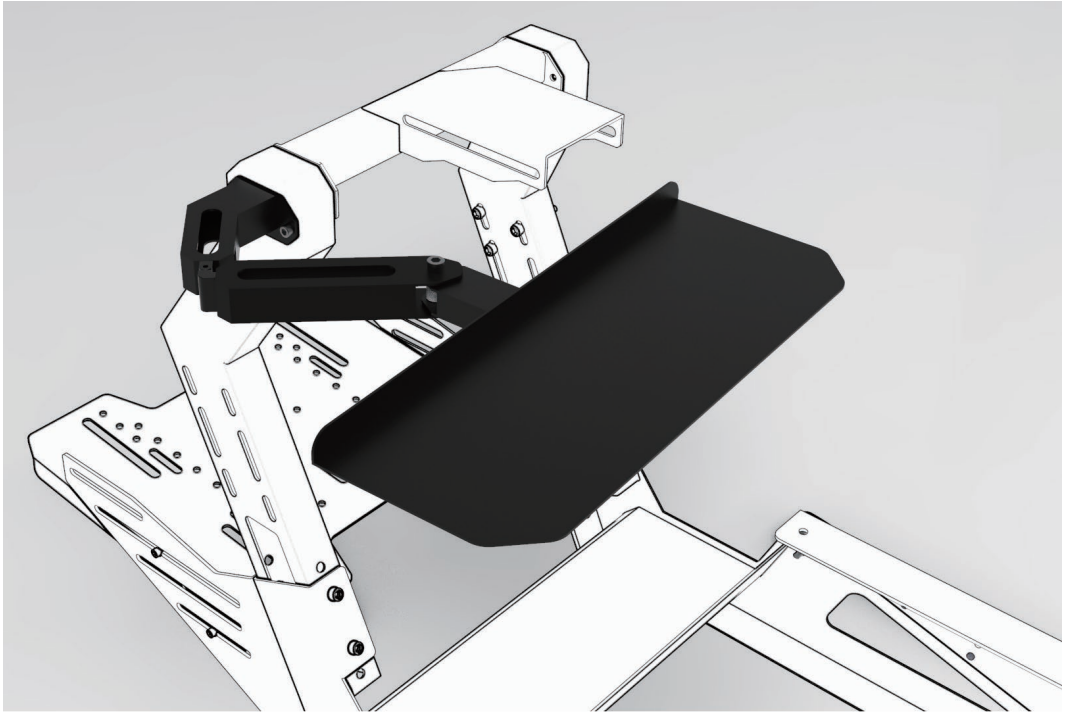


2

M6*12mm
white round head bolts (2 pieces)



Installation of keyboard holder (need to be purchased separately)



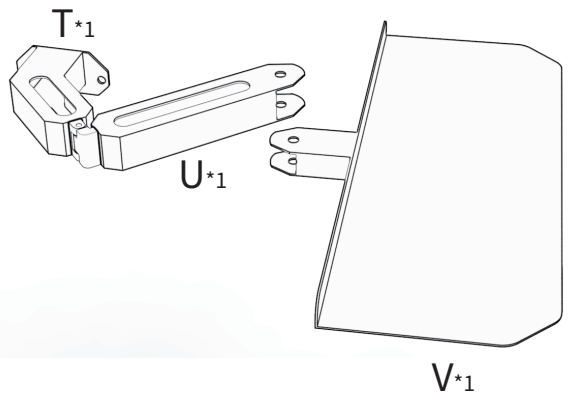
M8*45mm black hex bolt (1 pieces)



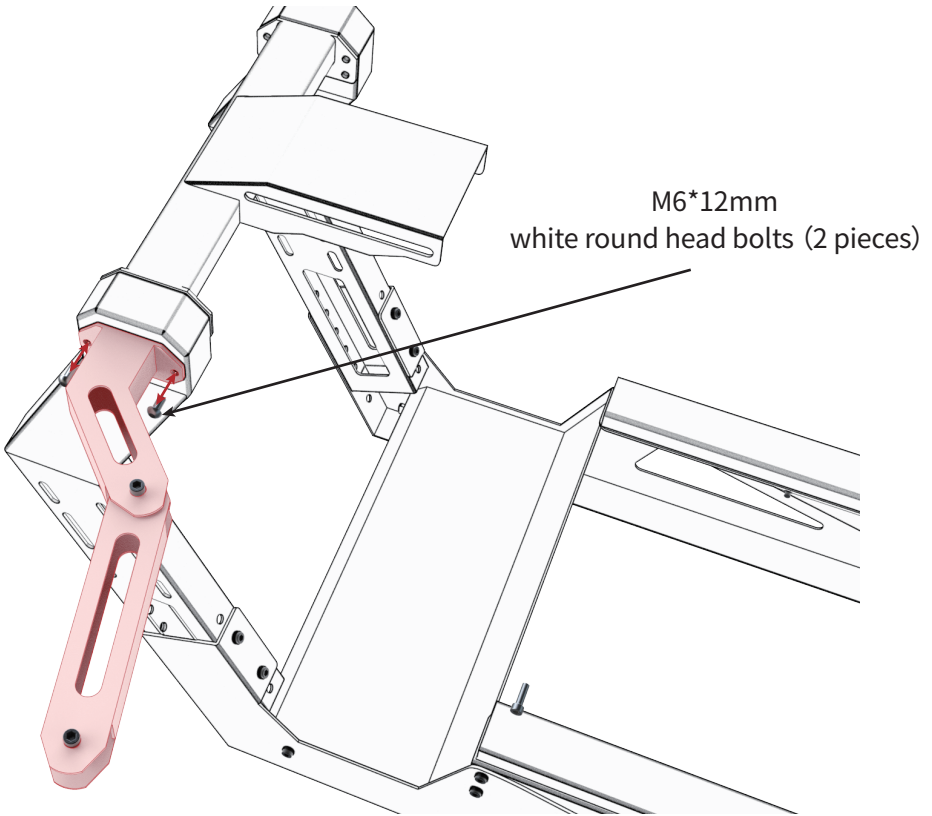
M6*12mm
white round head bolts (2 pieces)



M8 nylon anti-loose nut (1 pieces) ABS pillars and nylon washers



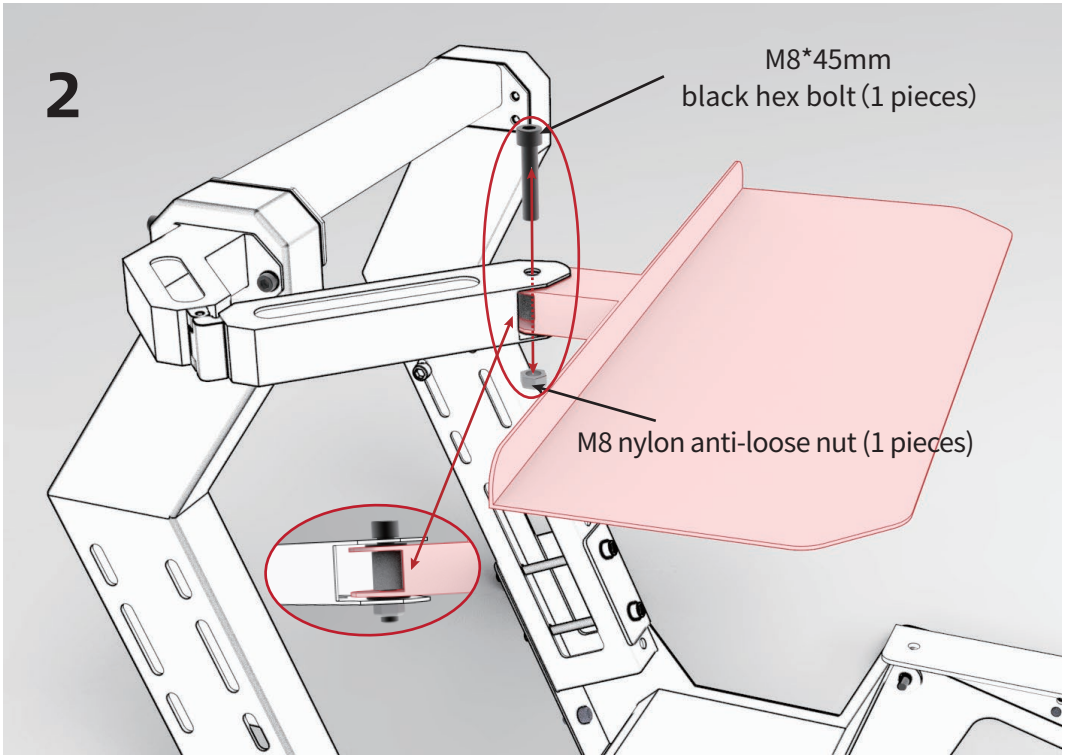
1



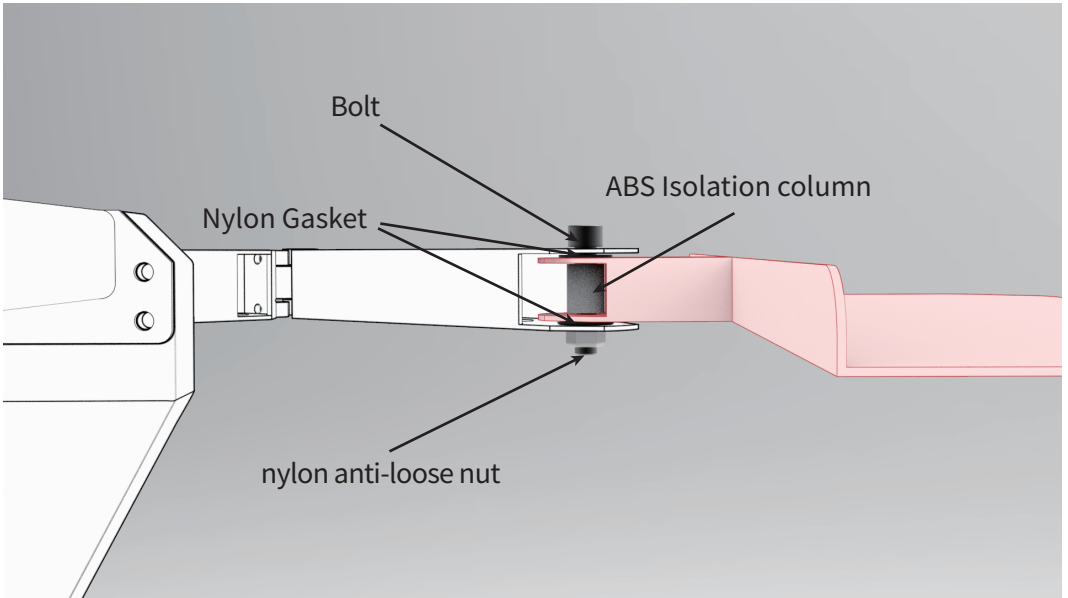
2

M8*45mm
black hex bolt (1 pieces)

M8 nylon anti-loose nut (1 pieces)



Installation illustration.



CONSPIT